



Part Number : [1301280101](#)

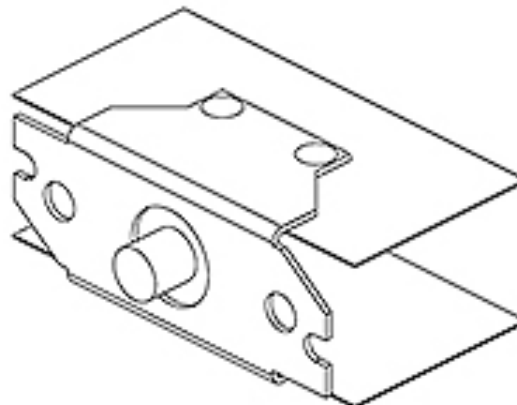
Product Description : Super-Safeway Switch Replacement, Two Speed Momentary

Series Number : 130128

Status : Active

Product Category : Push Button Products

Engineering Number : 4020-2



Product Environment Compliance

Compliance

| | |
|--------------------|--------------|
| China RoHS | Not Reviewed |
| EU ELV | Not Reviewed |
| Low-Halogen Status | Not Reviewed |
| REACH SVHC | Not Reviewed |
| EU RoHS | Not Reviewed |

Multiple Part Product Compliance Statements

- Eu RoHS
- REACH SVHC
- Low-Halogen

Multiple Part Industry Compliance Documents

- IPC 1752A Class C
- IPC 1752A Class D
- Molex Product Compliance Declaration
- IEC-62474
- chemSHERPA (xml)

EU RoHS Certificate of Compliance

Part Details

General

| | |
|----------|----------------------|
| Status | Active |
| Category | Push Button Products |

| | |
|------------------------------|---|
| Series | 130128 |
| Description | Super-Safeway Switch Replacement, Two Speed Momentary |
| Accessory / Replacement Type | Two Speed-Momentary Switch |
| Enclosure Rating | N/A |
| Product Name | Super-Safeway |
| Type | Replacement Part |
| UPC | 78678875424 |

Electrical

| | |
|-------------------|------|
| Voltage - Maximum | 250V |
|-------------------|------|

Physical

| | |
|---------------------|--------|
| Cord Diameter | N/A |
| Cord Grip Body Size | N/A |
| Emergency Stop | No |
| Material - Body | N/A |
| Number of Speeds | Two |
| Packaging Type | Carton |