

6

5

4

3

2

1

D

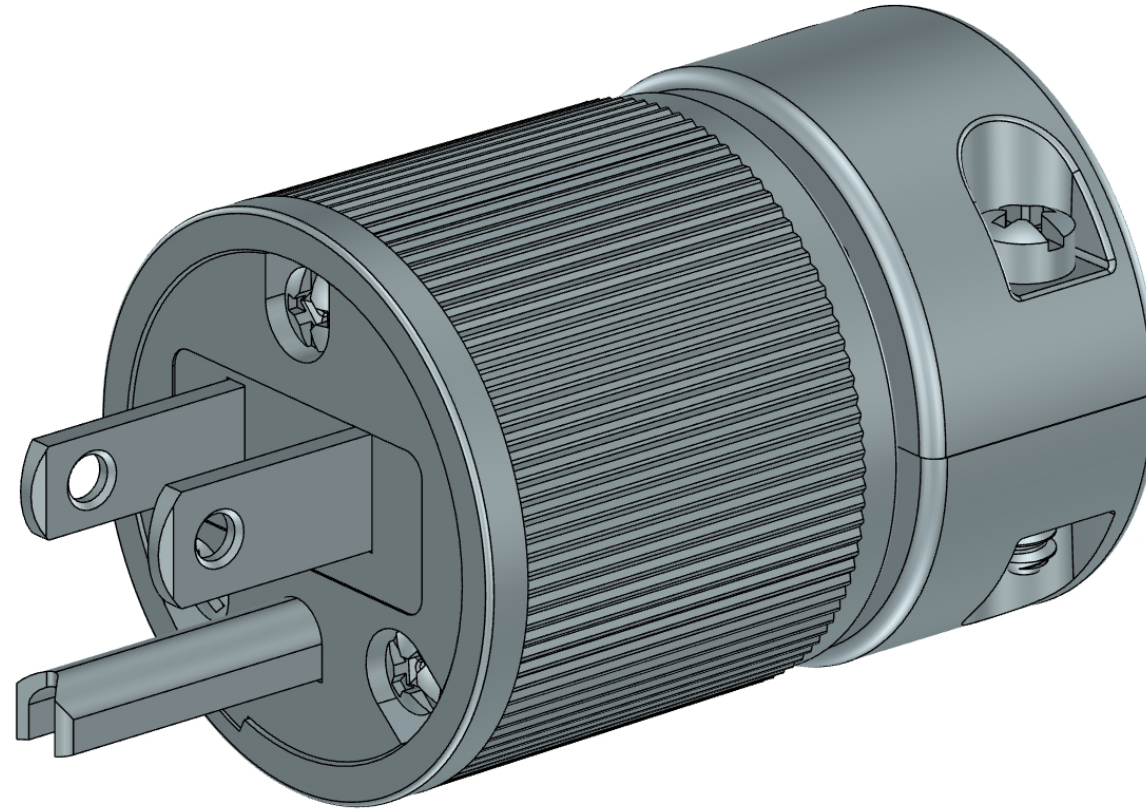
D

C

C

B

B



A

A

MATERIAL NUMBER:		CIRCUIT:	MATERIALS:	DRAWING NO:	molex
DESCRIPTION:	INFORMATION:				
				REV:	

THIS MODEL CONTAINS INFORMATION THAT IS PROPRIETARY TO MOLEX ELECTRONIC TECHNOLOGIES, LLC AND SHOULD NOT BE USED WITHOUT WRITTEN PERMISSION

Rev: B
DATE: 11/17/2021

6

5

4

3

2

1