

6

5

4

3

2

1

D

D

C

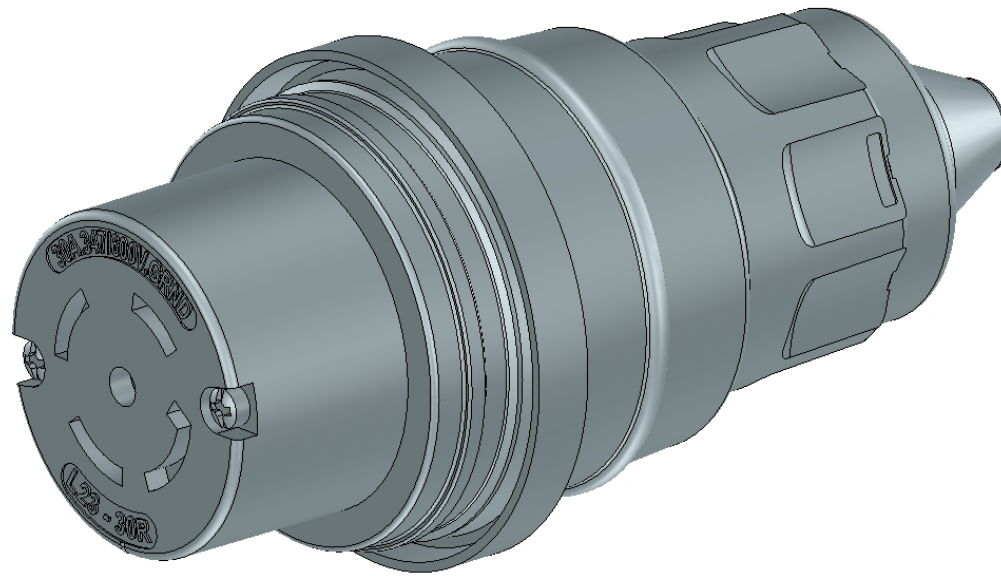
C

B

B

A

A



MATERIAL NUMBER:		CIRCUIT:		MATERIALS:	DRAWING NO:	molex
DESCRIPTION:	INFORMATION:					
					REV:	

THIS MODEL CONTAINS INFORMATION THAT IS PROPRIETARY TO MOLEX ELECTRONIC TECHNOLOGIES, LLC AND SHOULD NOT BE USED WITHOUT WRITTEN PERMISSION

6

5

4

3

2

1