



Part Number : [1200665456](#)

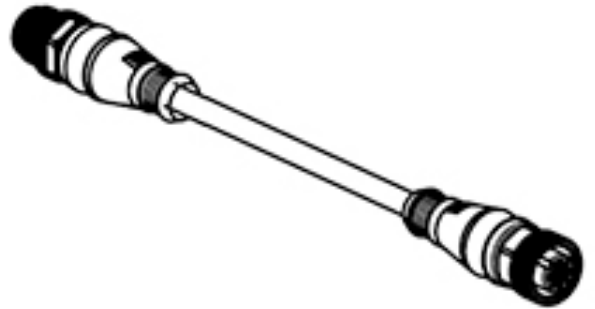
Product Description : Brad Safety Micro-Change (M12) Double-Ended Cordset, 4 Poles, A-Coded, Female (Straight) to Male (Straight), 0.34mm² WSOR Cable, 1.0m (3.28') Length

Series Number : 120066

Status : Active

Product Category : Circular Industrial Cordsets

Engineering Number : 884030B30M010R




Documents & Resources

Drawings

[1200665456_sd.pdf](#)

Product Environment Compliance

Compliance

GADSL/IMDS	Not Relevant
China RoHS	
EU ELV	Not Relevant
Low-Halogen Status	Not Reviewed per IEC 61249-2-21
REACH SVHC	Contains Lead per D(2022)9120-DC (17 Jan 2023)
EU RoHS	Compliant with Exemption 6(c) per EU 2015/863

Multiple Part Product Compliance Statements

- Eu RoHS
- REACH SVHC
- Low-Halogen

Multiple Part Industry Compliance Documents

- IPC 1752A Class C
- IPC 1752A Class D
- Molex Product Compliance Declaration
- IEC-62474
- chemSHERPA (xml)

Part Details

General

Status	Active
Category	Circular Industrial Cordsets
Series	120066
Description	Brad Safety Micro-Change (M12) Double-Ended Cordset, 4 Poles, A-Coded, Female (Straight) to Male (Straight), 0.34mm ² WSOR Cable, 1.0m (3.28') Length
IP Rating	IP67
Product Name	Brad Safety, Micro-Change (M12)
Type	Double Ended
UPC	889056560894

Electrical

Current - Maximum per Contact	4.0A
Voltage - Maximum	250V AC/DC

Physical

Cable Diameter	5.10mm (.201")
Cable Length	1.0m (3.28')
Color - Cable Jacket	Black
Connector End A	Micro-Change (M12)
Connector End B	Micro-Change (M12)
Coupling Style	Threaded
Gender	Female-Male
Keyway	A-Coded
LED Indicator	None
Material - Cable Jacket	PUR
Material - Connector Body	TPU
Material - Contact	Copper Alloy
Material - Coupling Nut	Nickel-plated Brass
Material - Plating Mating	Gold

Net Weight	69.980/g
Orientation	Straight to Straight
Poles	4
Temperature Range - Operating	-40° to +90°C
Wire/Cable Type	WSOR
Wire Size (AWG)	22

This document was generated on Mar 27, 2025