



**Part Number :** [1200669647](#)

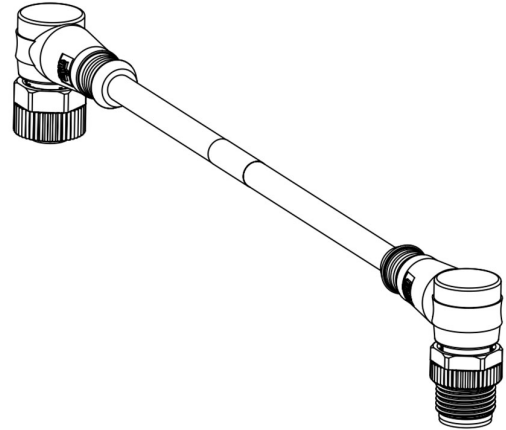
**Product Description :** Micro-Change (M12) Double-Ended Cordset with Knurled Hexnut, 4 Poles, Male (90°) to Female (90°), 22 AWG, Gray TPU WSOR Cable, Gray Overmold, 10.0m (32.81') Length

**Series Number :** 120066

**Status :** Active

**Product Category :** Circular Industrial Cordsets

**Engineering Number :** 884033B33M100A



---

## Documents & Resources

### Drawings

[1200669647\\_sd.pdf](#)

---

## Product Environment Compliance

### Compliance

GADSL/IMDS	Not Relevant
China RoHS	Not Relevant
EU ELV	Compliant with Exemption 3 per 2000/53/EC
Low-Halogen Status	Not Relevant
REACH SVHC	Contains Lead per D(2024)6225-DC (07 Nov 2024)
EU RoHS	Compliant with Exemption 6(c) per EU 2015/863

### Multiple Part Product Compliance Statements

- Eu RoHS
- REACH SVHC
- Low-Halogen

### Multiple Part Industry Compliance Documents

- IPC 1752A Class C
- IPC 1752A Class D
- Molex Product Compliance Declaration

- IEC-62474

- chemSHERPA (xml)

EU RoHS Certificate of Compliance

---

## Part Details

### General

Status	Active
Category	Circular Industrial Cordsets
Series	120066
Description	Micro-Change (M12) Double-Ended Cordset with Knurled Hexnut, 4 Poles, Male (90°) to Female (90°), 22 AWG, Gray TPU WSOR Cable, Gray Overmold, 10.0m (32.81') Length
IP Rating	IP67
Product Name	Micro-Change (M12)
Type	Double Ended
UPC	193264202874

### Agency

UL	E152210
----	---------

### Electrical

Current - Maximum per Contact	4.0A
Voltage - Maximum	60V

### Physical

Cable Diameter	5.10mm (.201")
Cable Length	10.0m (32.81')
Color - Cable Jacket	Gray
Connector End A	Micro-Change (M12)
Connector End B	Micro-Change (M12)
Coupling Style	Threaded
Gender	Female-Male
Keyway	Single
LED Indicator	None

Material - Cable Jacket	TPU
Material - Connector Body	TPU
Material - Contact	Brass
Material - Coupling Nut	Nickel-plated Brass
Material - O-Ring	FPM
Material - Plating Mating	Gold
Net Weight	1024.000/g
Orientation	90° to 90°
Poles	4
Temperature Range - Operating	-25° to +80°C
Wire/Cable Type	UL 21215
Wire Size (AWG)	22

---

This document was generated on Mar 27, 2025