



Part Number : [1200700173](#)

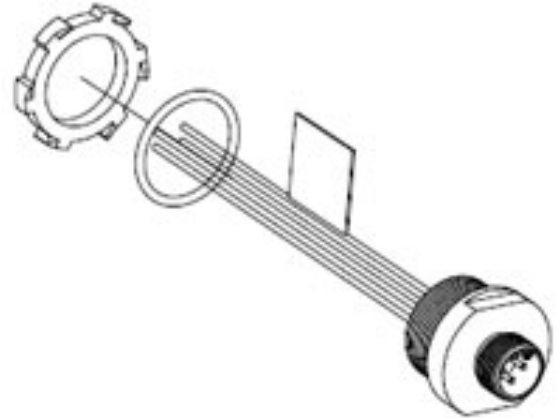
Product Description : Micro-Change (M12)
Front Panel Mount Receptacle, 4 Poles, 1/2" -
14 NPT Threads, Female (Straight) to 22 AWG
PVC Leads, 0.305m (1.0') Length

Series Number : 120070

Status : Active

Product Category : Circular Industrial
Connectors

Engineering Number : 8R4000A18A120



Documents & Resources

Drawings

[1200700173_sd.pdf](#)

Product Environment Compliance

Compliance

GADSL/IMDS	Not Relevant
China RoHS	
EU ELV	Not Relevant
Low-Halogen Status	Not Low-Halogen per IEC 61249-2-21
REACH SVHC	Not Contained per D(2022)9120-DC (17 Jan 2023)
EU RoHS	Compliant per EU 2015/863

Multiple Part Product Compliance Statements

- Eu RoHS
- REACH SVHC
- Low-Halogen

Multiple Part Industry Compliance Documents

- IPC 1752A Class C
- IPC 1752A Class D
- Molex Product Compliance Declaration
- IEC-62474
- chemSHERPA (xml)

Part Details

General

Status	Active
Category	Circular Industrial Connectors
Series	120070
Description	Micro-Change (M12) Front Panel Mount Receptacle, 4 Poles, 1/2" - 14 NPT Threads, Female (Straight) to 22 AWG PVC Leads, 0.305m (1.0') Length
IP Rating	IP67
NEMA Rating	NEMA 6
Product Name	Micro-Change (M12)
Type	Single Ended (pigtail)
UPC	78678882616

Agency

CSA	LR6837
UL	E152210

Electrical

Current - Maximum per Contact	4.0A
Voltage - Maximum	250V AC/DC

Physical

Coupling Type	Internal Thread
Gender	Female
Keyway	Single
Length	0.30m
Material - Component	Nickel-plated Zinc Die-Cast
Mounting Thread Size	1/2" - 14 NPT
Net Weight	14.000/g
Orientation	Straight
Panel Mount	Front

Poles	4
Temperature Range - Operating	-20° to +80°C
Wire/Cable Type	UL 1061
Wire Size (AWG)	22

This document was generated on Mar 27, 2025