



Part Number : [1200705138](#)

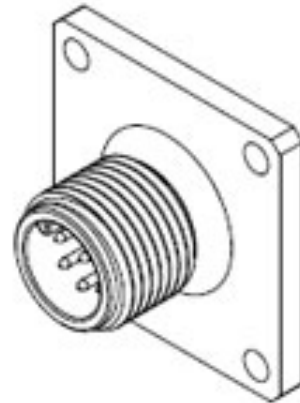
Product Description : Micro-Change (M12)  
Male Receptacle with Flange, 8 Poles Solder  
Cups

Series Number : 120070

Status : Active

Product Category : Circular Industrial  
Connectors

Engineering Number : 0912 083GM 04000



---

## Documents & Resources


### Drawings

[1200705138\\_sd.pdf](#)

---

## Product Environment Compliance

### Compliance

GADSL/IMDS	Not Relevant
China RoHS	
EU ELV	Not Relevant
Low-Halogen Status	Low-Halogen per IEC 61249-2-21
REACH SVHC	Contains Lead per D(2020)4578-DC (25 June 2020)
EU RoHS	Compliant with Exemption 6(c) per EU 2015/863

### Multiple Part Product Compliance Statements

- Eu RoHS
- REACH SVHC
- Low-Halogen

### Multiple Part Industry Compliance Documents

- IPC 1752A Class C
- IPC 1752A Class D
- Molex Product Compliance Declaration
- IEC-62474
- chemSHERPA (xml)

## Part Details

### General

Status	Active
Category	Circular Industrial Connectors
Series	120070
Description	Micro-Change (M12) Male Receptacle with Flange, 8 Poles Solder Cups
IP Rating	IP67
NEMA Rating	NEMA 6
Product Name	Micro-Change (M12)
Type	PCB Mount
UPC	883906773519

### Electrical

Current - Maximum per Contact	3.0A
Voltage - Maximum	30V AC / 36V DC

### Physical

Coupling Type	External Thread
Gender	Male
Keyway	Single
Length	N/A
Material - Component	Nickel-plated Brass
Mounting Thread Size	N/A
Net Weight	15.631/g
Orientation	Straight
Panel Mount	With Flange
Poles	8
Temperature Range - Operating	-40° to +125°C
Wire/Cable Type	N/A
Wire Size (AWG)	N/A

---

---

This document was generated on Mar 27, 2025