



Part Number : [1200840008](#)

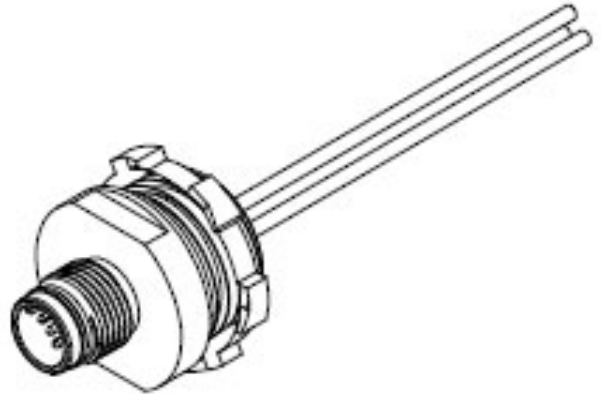
Product Description : Ultra-Lock (M12) Male Receptacle, 4 Poles, 1/2" - 14 NPT Mounting Threads, 22 AWG PVC Leads, 0.30m (11.81") Length

Series Number : 120084

Status : Active

Product Category : Circular Industrial Connectors

Engineering Number : WR4006A18C300



Documents & Resources

Drawings

[1200840008_sd.pdf](#)

Product Environment Compliance

Compliance

GADSL/IMDS	Not Relevant
China RoHS	Not Relevant
EU ELV	Compliant per 2000/53/EC
Low-Halogen Status	Not Relevant
REACH SVHC	Not Contained per D(2021)4569-DC (8 July 2021)
EU RoHS	Compliant per EU 2015/863

Multiple Part Product Compliance Statements

- Eu RoHS
- REACH SVHC
- Low-Halogen

Multiple Part Industry Compliance Documents

- IPC 1752A Class C
- IPC 1752A Class D
- Molex Product Compliance Declaration
- IEC-62474
- chemSHERPA (xml)

Part Details

General

Status	Active
Category	Circular Industrial Connectors
Series	120084
Description	Ultra-Lock (M12) Male Receptacle, 4 Poles, 1/2" - 14 NPT Mounting Threads, 22 AWG PVC Leads, 0.30m (11.81") Length
IP Rating	IP69K
NEMA Rating	NEMA 6
Product Name	Ultra-Lock (M12)
Type	Single Ended (pigtail)
UPC	78678888410

Agency

CSA	LR6837
-----	--------

Electrical

Current - Maximum per Contact	4.0A
Voltage - Maximum	250V AC/DC

Physical

Coupling Type	External Thread
Gender	Male
Keyway	Single
Length	0.30m
Material - Component	Nickel-plated Brass
Mounting Thread Size	1/2" - 14 NPT
Net Weight	88.000/g
Orientation	Straight
Panel Mount	Front
Poles	4
Temperature Range - Operating	-25° to +90°C

Wire/Cable Type	Leads, UL 1061
Wire Size (AWG)	22

This document was generated on Mar 27, 2025