



Part Number : [1200845109](#)

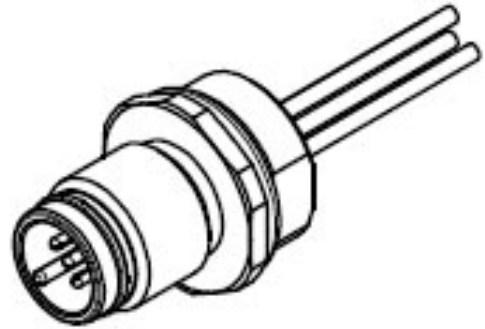
Product Description : Ultra-Lock (M12) Receptacle, 5 Poles, PG9 Mounting Threads, Male (Straight) to 0.34mm<sup>2</sup> PVC Leads, 0.30m (11.81") Length

Series Number : 120084

Status : Active

Product Category : Circular Industrial Connectors

Engineering Number : WR5J26E03C3003



---

## Documents & Resources

### Drawings

[1200845109\\_sd.pdf](#)

---

## Product Environment Compliance

### Compliance

GADSL/IMDS	Not Relevant
China RoHS	
EU ELV	Not Relevant
Low-Halogen Status	Not Low-Halogen per IEC 61249-2-21
REACH SVHC	Contains Lead; Triphenyl-phosphate per D(2024)7663-DC (21 Jan 2025)
EU RoHS	Compliant with Exemption 6(c) per EU 2015/863

### Multiple Part Product Compliance Statements

- Eu RoHS
- REACH SVHC
- Low-Halogen

### Multiple Part Industry Compliance Documents

- IPC 1752A Class C
- IPC 1752A Class D
- Molex Product Compliance Declaration

- IEC-62474

- chemSHERPA (xml)

EU RoHS Certificate of Compliance

---

## Part Details

### General

Status	Active
Category	Circular Industrial Connectors
Series	120084
Description	Ultra-Lock (M12) Receptacle, 5 Poles, PG9 Mounting Threads, Male (Straight) to 0.34mm <sup>2</sup> PVC Leads, 0.30m (11.81") Length
IP Rating	IP69K
NEMA Rating	NEMA 6
Product Name	Ultra-Lock (M12)
Type	Single Ended (pigtail)
UPC	883906778927

### Electrical

Current - Maximum per Contact	4.0A
Voltage - Maximum	60V

### Physical

Coupling Type	External Thread
Gender	Male
Keyway	Single
Length	0.30m
Material - Component	Nickel-plated Brass
Mounting Thread Size	PG9
Net Weight	23.200/g
Orientation	Straight
Panel Mount	Front
Poles	5
Temperature Range - Operating	-25° to +90°C
Wire/Cable Type	UL 1569

Wire Size (AWG)	22
-----------------	----

---

This document was generated on Mar 27, 2025