



**Part Number :** [1200850005](#)

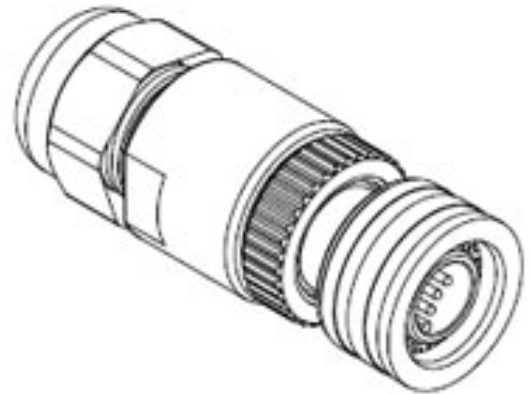
**Product Description :** Ultra-Lock (M12) Single Keyway with PG9 Cable Fitting, Male, 4 Pole, Straight, Cable Diameter 4.10-8.10mm

**Series Number :** 120085

**Status :** Active

**Product Category :** Circular Industrial Connectors

**Engineering Number :** WA4006-32



---

## Documents & Resources


### Drawings

[1200850005\\_sd.pdf](#)

---

## Product Environment Compliance

### Compliance

GADSL/IMDS	Not Relevant
China RoHS	
EU ELV	Not Relevant
Low-Halogen Status	Not Reviewed per IEC 61249-2-21
REACH SVHC	Contains Lead per D(2024)7663-DC (21 Jan 2025)
EU RoHS	Compliant with Exemption 6(c) per EU 2015/863

### Multiple Part Product Compliance Statements

- Eu RoHS
- REACH SVHC
- Low-Halogen

### Multiple Part Industry Compliance Documents

- IPC 1752A Class C
- IPC 1752A Class D
- Molex Product Compliance Declaration
- IEC-62474
- chemSHERPA (xml)

## Part Details

### General

Status	Active
Category	Circular Industrial Connectors
Series	120085
Description	Ultra-Lock (M12) Single Keyway with PG9 Cable Fitting, Male, 4 Pole, Straight, Cable Diameter 4.10-8.10mm
Approvals	cCSAus certified
IP Rating	IP69K
Product Name	Ultra-Lock (M12)
Type	Field Attachable Connector
UPC	78678897637

### Agency

CSA	LR6837
-----	--------

### Electrical

Current - Maximum per Contact	4.0A
Voltage - Maximum	250V AC / 300V DC

### Physical

Cable Diameter	4.10-8.10mm (.161-.319")
Coupling Type	Push to Lock
Diagnostics / LEDs	No
Diagnostics Port	No
Gender	Male
Keyway	Single
Material - Connector Body	PA
Material - Contact	Brass
Material - Coupling Nut	Nickel-plated Brass
Material - Plating Mating	Gold
Net Weight	22.800/g

Orientation	Straight
Poles	4
Temperature Range - Operating	-25°C to +90°C
Wire Size (AWG)	18

---

This document was generated on Mar 27, 2025