



Part Number : [1200850007](#)

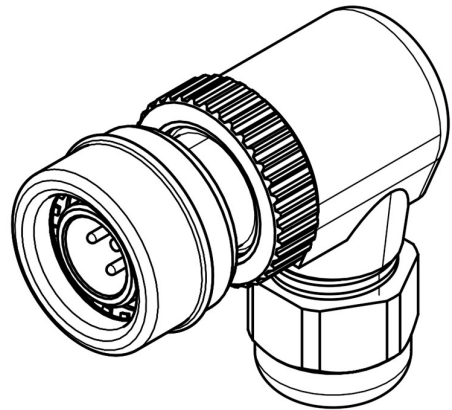
Product Description : Ultra-Lock (M12) A-Coded with PG7 Cable Fitting, Male, 4 Pole, 90° Angle, Cable Diameter 3.30-6.60mm

Series Number : 120085

Status : Active

Product Category : Circular Industrial Connectors

Engineering Number : WA4007-31




Documents & Resources

Drawings

[1200850007_sd.pdf](#)

Product Environment Compliance

Compliance

GADSL/IMDS	Not Relevant
China RoHS	
EU ELV	Not Relevant
Low-Halogen Status	Not Reviewed per IEC 61249-2-21
REACH SVHC	Contains Lead per D(2024)7663-DC (21 Jan 2025)
EU RoHS	Compliant with Exemption 6(c) per EU 2015/863

Multiple Part Product Compliance Statements

- Eu RoHS
- REACH SVHC
- Low-Halogen

Multiple Part Industry Compliance Documents

- IPC 1752A Class C
- IPC 1752A Class D
- Molex Product Compliance Declaration
- IEC-62474

Part Details

General

Status	Active
Category	Circular Industrial Connectors
Series	120085
Description	Ultra-Lock (M12) A-Coded with PG7 Cable Fitting, Male, 4 Pole, 90° Angle, Cable Diameter 3.30-6.60mm
Approvals	N/A
IP Rating	IP69K, IP68, IP67
Product Name	Ultra-Lock (M12)
Type	Field Attachable Connector
UPC	78678897641

Electrical

Current - Maximum per Contact	4.0A
Voltage - Maximum	250V AC/DC

Physical

Cable Diameter	3.30-6.60mm (.130-.260")
Coupling Type	Push to Lock
Diagnostics / LEDs	No
Diagnostics Port	No
Gender	Male
Keyway	A-Coded
Material - Connector Body	PA
Material - Contact	Brass
Material - Coupling Nut	Nickel-plated Brass
Material - Plating Mating	Gold
Net Weight	20.670/g
Orientation	90° Angle
Poles	4

Temperature Range - Operating	-25°C to +90°C
Wire Size (AWG)	Up to 18

This document was generated on Mar 27, 2025