



Part Number : [1200900033](#)

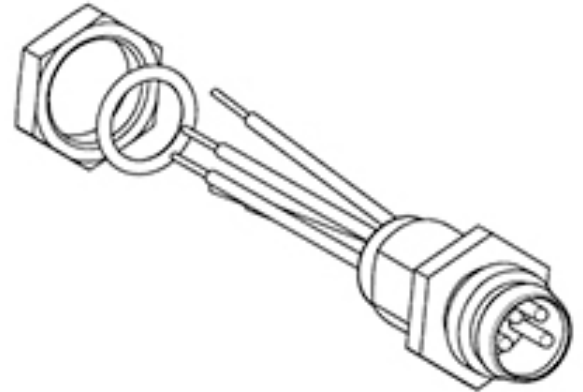
Product Description : Nano-Change (M8) Receptacle, M8 x 0.5 Mounting Threads, Male (Straight) 4 Poles, 1.0m (3.28') Length

Series Number : 120090

Status : Active

Product Category : Circular Industrial Connectors

Engineering Number : 4R4P06A27M010



Documents & Resources

Drawings

[1200900033_sd.pdf](#)

Product Environment Compliance

Compliance

GADSL/IMDS	Not Relevant
China RoHS	
EU ELV	Not Relevant
Low-Halogen Status	Not Low-Halogen per IEC 61249-2-21
REACH SVHC	Contains Lead; Triphenyl-phosphate; Lead monoxide per D(2024)7663-DC (21 Jan 2025)
EU RoHS	Compliant with Exemption 6(c) per EU 2015/863

Multiple Part Product Compliance Statements

- Eu RoHS
- REACH SVHC
- Low-Halogen

Multiple Part Industry Compliance Documents

- IPC 1752A Class C
- IPC 1752A Class D
- Molex Product Compliance Declaration

- IEC-62474

- chemSHERPA (xml)

EU RoHS Certificate of Compliance

Part Details

General

Status	Active
Category	Circular Industrial Connectors
Series	120090
Description	Nano-Change (M8) Receptacle, M8 x 0.5 Mounting Threads, Male (Straight) 4 Poles, 1.0m (3.28') Length
IP Rating	IP67
NEMA Rating	NEMA 6
Product Name	Nano-Change (M8)
Type	Single Ended (pigtail)
UPC	78678855997

Agency

CSA	LR6837
UL	E46237

Electrical

Current - Maximum per Contact	4.0A
Voltage - Maximum	60V AC / 75V DC

Physical

Coupling Type	External Thread
Gender	Male
Keyway	None
Length	1.0m
Material - Component	Nickel-plated Brass
Mounting Thread Size	M8 x 0.5
Net Weight	20.526/g
Orientation	Straight

Panel Mount	N/A
Poles	4
Temperature Range - Operating	-20° to +105°C
Wire/Cable Type	N/A
Wire Size (AWG)	24

This document was generated on Mar 27, 2025