



Part Number : [1200990024](#)

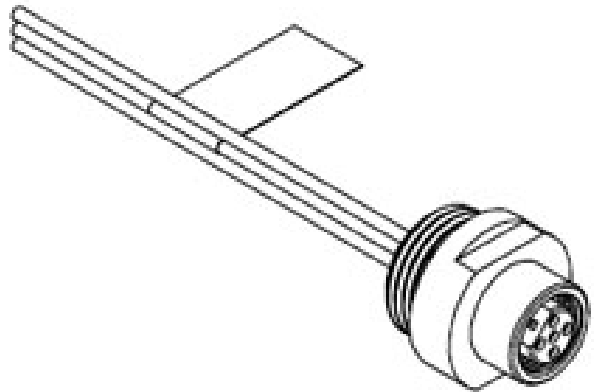
Product Description : PROFIBUS Trunk Receptacle, 5 Poles, Female (Straight) to Leads, Front Panel Mount, 0.076m (3.00") Length

Series Number : 120099

Status : Obsolete

Product Category : Circular Industrial Connectors

Engineering Number : 81689-030



Documents & Resources

Product Environment Compliance

Compliance

| | |
|--------------------|--------------|
| China RoHS | Not Reviewed |
| EU ELV | Not Reviewed |
| Low-Halogen Status | Not Reviewed |
| REACH SVHC | Not Reviewed |
| EU RoHS | Not Reviewed |

Multiple Part Product Compliance Statements

- Eu RoHS
- REACH SVHC
- Low-Halogen

Multiple Part Industry Compliance Documents

- IPC 1752A Class C
- IPC 1752A Class D
- Molex Product Compliance Declaration
- IEC-62474
- chemSHERPA (xml)

EU RoHS Certificate of Compliance

Part Details

General

| | |
|--------------|--|
| Status | Obsolete |
| Category | Circular Industrial Connectors |
| Series | 120099 |
| Description | PROFIBUS Trunk Receptacle, 5 Poles, Female (Straight) to Leads, Front Panel Mount, 0.076m (3.00") Length |
| IP Rating | IP67 |
| NEMA Rating | NEMA 6 |
| Product Name | PROFIBUS Trunk |
| Type | Single Ended (pigtail) |
| UPC | 78678845950 |

Electrical

| | |
|-------------------------------|------|
| Current - Maximum per Contact | 4.0A |
| Voltage - Maximum | 250V |

Physical

| | |
|-------------------------------|---------------------|
| Coupling Type | Internal Thread |
| Gender | Female |
| Keyway | Single |
| Length | 0.076m |
| Material - Component | Nickel-plated Brass |
| Mounting Thread Size | M16 |
| Orientation | Straight |
| Panel Mount | Front |
| Poles | 5 |
| Temperature Range - Operating | -20° to +80°C |
| Wire/Cable Type | N/A |
| Wire Size (AWG) | 24 |