



Part Number : [1200990025](#)

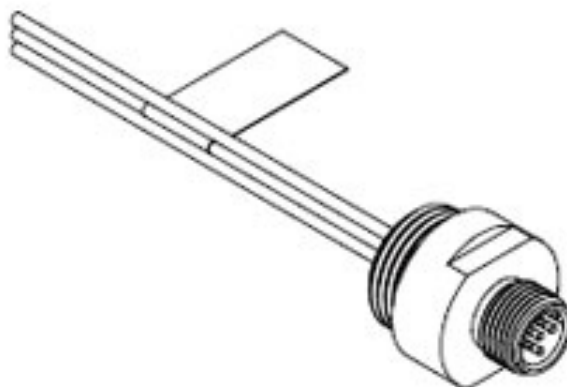
Product Description : PROFIBUS Trunk Receptacle, 5 Poles, Male (Straight) to Leads, Front Panel Mount, 0.076m (3.00") Length

Series Number : 120099

Status : Active

Product Category : Circular Industrial Connectors

Engineering Number : 81688-030



Documents & Resources

Drawings

[1200990025_sd.pdf](#)

Product Environment Compliance

Compliance

China RoHS	Not Reviewed
EU ELV	Not Reviewed
Low-Halogen Status	Not Reviewed
REACH SVHC	Not Reviewed
EU RoHS	Not Reviewed

Multiple Part Product Compliance Statements

- Eu RoHS
- REACH SVHC
- Low-Halogen

Multiple Part Industry Compliance Documents

- IPC 1752A Class C
- IPC 1752A Class D
- Molex Product Compliance Declaration
- IEC-62474
- chemSHERPA (xml)

EU RoHS Certificate of Compliance

Part Details

General

Status	Active
Category	Circular Industrial Connectors
Series	120099
Description	PROFIBUS Trunk Receptacle, 5 Poles, Male (Straight) to Leads, Front Panel Mount, 0.076m (3.00") Length
IP Rating	IP67
NEMA Rating	NEMA 6
Product Name	PROFIBUS Trunk
Type	Single Ended (pigtail)
UPC	78678845949

Electrical

Current - Maximum per Contact	4.0A
Voltage - Maximum	250V AC/DC

Physical

Coupling Type	External Thread
Gender	Male
Keyway	Single
Length	0.076m
Material - Component	Nickel-plated Brass
Mounting Thread Size	M16
Orientation	Straight
Panel Mount	Front
Poles	5
Temperature Range - Operating	-20° to +80°C
Wire/Cable Type	N/A
Wire Size (AWG)	24