



Part Number : [1201150055](#)

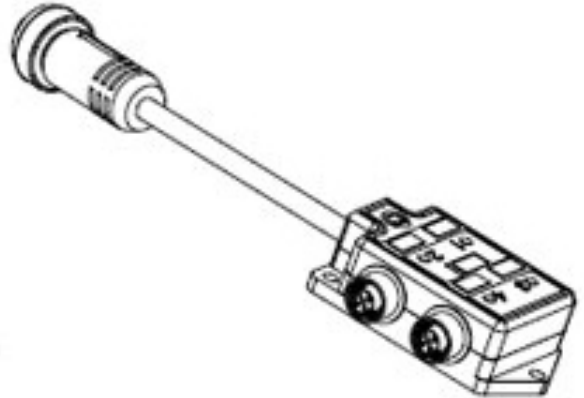
Product Description : Micro-Change Molded Junction Box, Side Mount, Single Keyway with Mini-Change B-Size Molded Home Run Connector, 8 Ports, PNP, 0.30m Cable Length

Series Number : 120115

Status : Active

Product Category : Passive Distribution Boxes

Engineering Number : 803P802




Documents & Resources

Drawings

[1201150055_sd.pdf](#)

Product Environment Compliance

Compliance

GADSL/IMDS	Not Relevant
China RoHS	
EU ELV	Not Relevant
Low-Halogen Status	Not Reviewed per IEC 61249-2-21
REACH SVHC	Not Reviewed per D(2024)6225-DC (07 Nov 2024)
EU RoHS	Not Compliant per EU 2015/863

Multiple Part Product Compliance Statements

- Eu RoHS
- REACH SVHC
- Low-Halogen

Multiple Part Industry Compliance Documents

- IPC 1752A Class C
- IPC 1752A Class D
- Molex Product Compliance Declaration
- IEC-62474
- chemSHERPA (xml)

Part Details

General

Status	Active
Category	Passive Distribution Boxes
Series	120115
Description	Micro-Change Molded Junction Box, Side Mount, Single Keyway with Mini-Change B-Size Molded Home Run Connector, 8 Ports, PNP, 0.30m Cable Length
IP Rating	IP67
NEMA Rating	NEMA 6
Product Name	Micro-Change (M12)
UPC	78678824068

Electrical

Current - Maximum per Contact	4.0A per port
Functional Wiring	PNP
Voltage - Maximum	10-30V DC
Wiring Configuration	Single I/O per Port

Physical

Bus I/O	Micro-Change (M12)
Cable Connector Orientation	Straight
Cable Length	N/A
Home Run Cable Length	0.305m
Home Run Connector	Micro-Change (M12) - 10 pole
Home Run Interface	Integrated Connector
Keyway	Single
LED Indicator	PNP Sensors
Material - Cable Jacket	PVC
Material - Housing	PBT
Material - Metal	Copper Alloy
Material - Plating Mating	Gold

Net Weight	1.000/g
Orientation	Side Mount
Poles	5
Poles (wired)	4
Ports	8
Temperature Range - Operating	-20°C to +90°C

This document was generated on Mar 27, 2025