



Part Number : [1201550013](#)

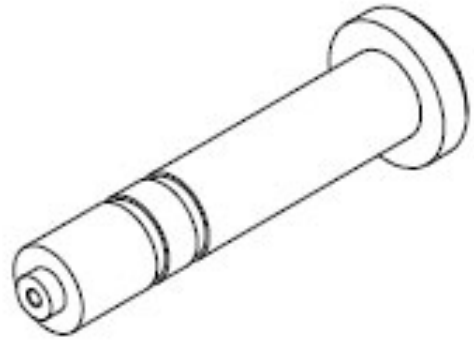
Product Description : Signal Locator, Male

Series Number : 120155

Status : Active

Product Category : Crimp Presses and Crimp Hand Tools

Engineering Number : KS-LOC-01



---

## Documents & Resources

### Drawings

[1201550013\\_sd.pdf](#)

---

## Product Environment Compliance

### Compliance

|                    |   |
|--------------------|---|
| GADSL/IMDS         | Not Relevant                                  |
| China RoHS         | Not Relevant                                  |
| EU ELV             | Not Relevant                                  |
| Low-Halogen Status | Not Relevant                                  |
| REACH SVHC         | Not Reviewed per D(2024)7663-DC (21 Jan 2025) |
| EU RoHS            | Not Reviewed per EU 2015/863                  |

### Multiple Part Product Compliance Statements

- Eu RoHS
- REACH SVHC
- Low-Halogen

### Multiple Part Industry Compliance Documents

- IPC 1752A Class C
- IPC 1752A Class D
- Molex Product Compliance Declaration
- IEC-62474
- chemSHERPA (xml)

## Part Details

### General

|                                |  |
|--------------------------------|--|
| Status                         | Active   |
| Category                       | Crimp Presses and Crimp Hand Tools   |
| Series                         | 120155   |
| Description                    | Signal Locator, Male   |
| Function                       | Locator  |
| Geographic Area                | Americas   |
| Level of Automation            | Manual   |
| More Detailed Tech Information | toolingsupport@molex.com   |
| Product Name                   | Brad M23   |
| Tool Type                      | Hand Crimp Tool  |
| UPC                            | 883906297251   |
| Warranty Disclaimer            | <p>CAUTION: Molex tooling crimp specifications are valid only when used with Molex terminals and tooling manufactured by Molex and sold by Molex or authorized distributors ("Molex Tooling"). When using tooling other than Molex Tooling with Molex specific connector systems listed in our ATS documents, the Molex tooling qualification does not apply and the responsibility for full qualification of the connector system is that of the customer. Molex accepts no liability for connector performance or tooling support where tooling other than Molex Tooling is used or where Molex Tooling is modified.</p> |