



Part Number : [1201550014](#)

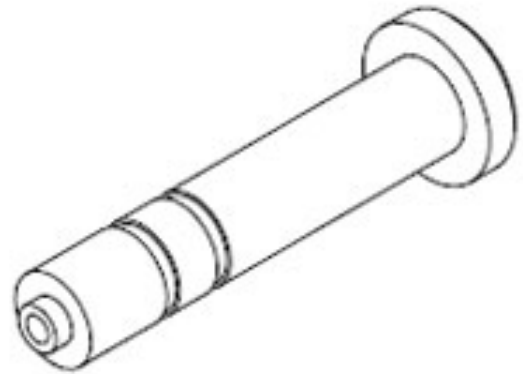
Product Description : High Current Universal Clamp Tapping Terminal Block, 35.00mm DIN-rail Mount, 150.0A / 600V, Grey Housing and Cover, 1 Circuit, 4 Terminations

Series Number : 201606

Status : Active

Product Category : Terminal Blocks and Barrier Strip

Engineering Number : MX-KE66



Documents & Resources

Drawings

[2016060660_sd.pdf](#)

3D Models and Design Files

[2016060660_stp.zip](#)

Product Environment Compliance

Compliance

GADSL/IMDS	Not Relevant
China RoHS	
EU ELV	Not Relevant
Low-Halogen Status	Low-Halogen per IEC 61249-2-21
REACH SVHC	Not Contained per D(2023)8585-DC (23 Jan 2024)
EU RoHS	Compliant per EU 2015/863

Multiple Part Product Compliance Statements

- Eu RoHS
- REACH SVHC
- Low-Halogen

Multiple Part Industry Compliance Documents

- IPC 1752A Class C
- IPC 1752A Class D
- Molex Product Compliance Declaration

- IEC-62474

- chemSHERPA (xml)

EU RoHS Certificate of Compliance

Part Details

General

Status	Active
Category	Terminal Blocks and Barrier Strip
Series	201606
Description	High Current Universal Clamp Tapping Terminal Block, 35.00mm DIN-rail Mount, 150.0A / 600V, Grey Housing and Cover, 1 Circuit, 4 Terminations
Application	Wire-to-Wire
Component Type	One Piece
Keyword	HCUC
Product Name	Universal Clamp
Type	High-Current Universal Clamps
UPC	78172551135

Agency

UL	E48521
----	--------

Electrical

Current - Maximum per Contact	150.0A
Voltage - Maximum	600V

Physical

Circuits (Loaded)	1
Circuits (maximum)	1
Color - Resin	Gray
Entry Angle	Horizontal
Lock to Mating Part	None
Material - Metal	Aluminum
Material - Plating Mating	Tin

Material - Plating Termination	Tin
Material - Resin	Polyamide
Number of Rows	2
Orientation	Vertical
Panel Mount	No
Pitch - Mating Interface	N/A
Polarized to Mating Part	N/A
Stackable	No
Temperature Range - Operating	-40° to +105°C
Termination Interface Style	Screw
Wire Size (AWG)	1/0-6, 6+6, 8+8+8
Wire Size mm ²	13.00+13.00, 13.00-53.00, 8.30+8.30+8.30