



Part Number : [1201550018](#)

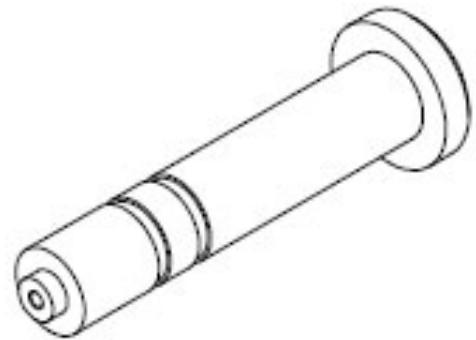
Product Description : Power Locator, Male

Series Number : 120155

Status : Active

Product Category : Crimp Presses and Crimp Hand Tools

Engineering Number : KP-LOC-01



---

## Documents & Resources

### Drawings

[1201550018\\_sd.pdf](#)

---

## Product Environment Compliance

### Compliance

China RoHS	Not Reviewed
EU ELV	Not Reviewed
Low-Halogen Status	Not Reviewed
REACH SVHC	Not Reviewed
EU RoHS	Not Reviewed

### Multiple Part Product Compliance Statements

- Eu RoHS
- REACH SVHC
- Low-Halogen

### Multiple Part Industry Compliance Documents

- IPC 1752A Class C
- IPC 1752A Class D
- Molex Product Compliance Declaration
- IEC-62474
- chemSHERPA (xml)

### EU RoHS Certificate of Compliance

---

## Part Details

### General

Status	Active
Category	Crimp Presses and Crimp Hand Tools
Series	120155
Description	Power Locator, Male
Function	Locator
Geographic Area	Americas
Level of Automation	Manual
More Detailed Tech Information	toolingsupport@molex.com
Product Name	Brad M23
Tool Type	Hand Crimp Tool
UPC	883906297305
Warranty Disclaimer	<p>CAUTION: Molex tooling crimp specifications are valid only when used with Molex terminals and tooling manufactured by Molex and sold by Molex or authorized distributors ("Molex Tooling"). When using tooling other than Molex Tooling with Molex specific connector systems listed in our ATS documents, the Molex tooling qualification does not apply and the responsibility for full qualification of the connector system is that of the customer. Molex accepts no liability for connector performance or tooling support where tooling other than Molex Tooling is used or where Molex Tooling is modified.</p>

---

### Use with Part(s)

Description	Part Number
Signal Adaptor Flange	<u>1201550016</u>

---