



Part Number : [1202470061](#)

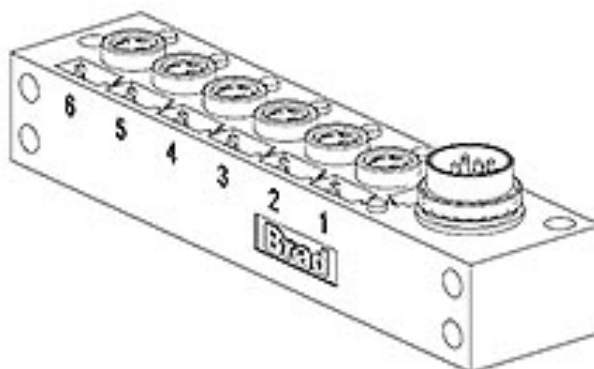
Product Description : MPIS Micro-Change (M8) Passive Junction Box, Top-Mount, 6 Ports, LED for PNP Sensor, with Integral M16 (9-Pole) Home Run Connector

Series Number : 120247

Status : Active

Product Category : Passive Distribution Boxes

Engineering Number : BNB601P-FBC



Documents & Resources

Drawings

[1202470061_sd.pdf](#)

Product Environment Compliance

Compliance

GADSL/IMDS	Not Relevant
China RoHS	
EU ELV	Not Relevant
Low-Halogen Status	Not Reviewed per IEC 61249-2-21
REACH SVHC	Not Contained per ED/21/2016 (20 June 2016)
EU RoHS	Compliant with Exemption 6(c) per EU 2015/863

Multiple Part Product Compliance Statements

- Eu RoHS
- REACH SVHC
- Low-Halogen

Multiple Part Industry Compliance Documents

- IPC 1752A Class C
- IPC 1752A Class D
- Molex Product Compliance Declaration
- IEC-62474
- chemSHERPA (xml)

Part Details

General

Status	Active
Category	Passive Distribution Boxes
Series	120247
Description	MPIS Micro-Change (M8) Passive Junction Box, Top-Mount, 6 Ports, LED for PNP Sensor, with Integral M16 (9-Pole) Home Run Connector
IP Rating	IP67, IP68
Product Name	MPIS
UPC	889056140607

Agency

UL	E152210
----	---------

Electrical

Current - Maximum per Contact	2.0A per port, 6.0A per module
Functional Wiring	PNP
Voltage - Maximum	10-30V DC
Wiring Configuration	Single I/O per Port

Physical

Bus I/O	N/A
Cable Connector Orientation	N/A
Home Run Cable Length	N/A
Home Run Connector	M16 - 9 pole
Home Run Interface	Integrated Connector
Keyway	A-Coded
LED Indicator	PNP Sensors
Material - Cable Jacket	N/A
Material - Housing	PBT
Material - Metal	Copper Alloy
Material - Plating Mating	Gold

Net Weight	132.100/g
Orientation	Top-Mount
Poles	3
Poles (wired)	3
Ports	6
Temperature Range - Operating	-25°C to +85°C
Wire/Cable Type	WSOR

This document was generated on Mar 27, 2025