



**Part Number :** [1202480068](#)

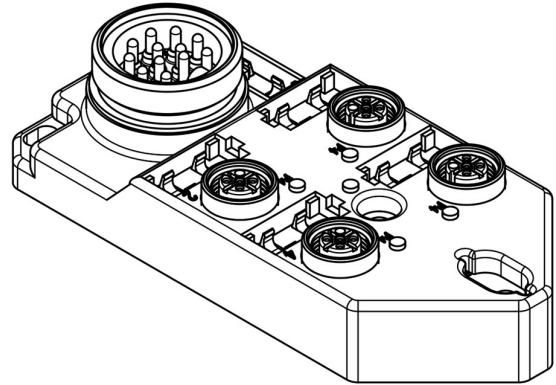
**Product Description :** MPIS Micro-Change (M12) Passive Junction Box, Top-Mount, 4 Ports, LED for PNP Sensor, with Integral Mini-Change (12-Pole) Home Run Connector

**Series Number :** 120248

**Status :** Active

**Product Category :** Passive Distribution Boxes

**Engineering Number :** BTB401P-FBB



---

## Documents & Resources

### Drawings

[1202480068\\_sd.pdf](#)

---

## Product Environment Compliance

### Compliance

GADSL/IMDS	Not Relevant
China RoHS	Not Relevant
EU ELV	Not Reviewed per 2000/53/EC
Low-Halogen Status	Not Relevant
REACH SVHC	Contains Lead per D(2022)9120-DC (17 Jan 2023)
EU RoHS	Not Reviewed per EU 2015/863

### Multiple Part Product Compliance Statements

- Eu RoHS
- REACH SVHC
- Low-Halogen

### Multiple Part Industry Compliance Documents

- IPC 1752A Class C
- IPC 1752A Class D
- Molex Product Compliance Declaration
- IEC-62474

## Part Details

### General

Status	Active
Category	Passive Distribution Boxes
Series	120248
Description	MPIS Micro-Change (M12) Passive Junction Box, Top-Mount, 4 Ports, LED for PNP Sensor, with Integral Mini-Change (12-Pole) Home Run Connector
IP Rating	IP67
Product Name	MPIS
UPC	889056329989

### Agency

UL	E152210
----	---------

### Electrical

Current - Maximum per Contact	3.0A per port, 9.0A per module
Functional Wiring	PNP
Voltage - Maximum	10-30V DC
Wiring Configuration	Single I/O per Port

### Physical

Bus I/O	N/A
Cable Connector Orientation	Straight
Cable Length	N/A
Home Run Cable Length	N/A
Home Run Connector	Mini-Change - 12 pole
Home Run Interface	Integrated Connector
Keyway	Single
LED Indicator	PNP Sensors
Material - Cable Jacket	N/A

Material - Housing	PBT
Material - Metal	Brass
Material - Plating Mating	Gold
Net Weight	221.600/g
Orientation	Top-Mount
Poles	4
Poles (wired)	4
Ports	4
Temperature Range - Operating	-25°C to +85°C
Wire/Cable Type	TPE

---

This document was generated on Mar 27, 2025