



Part Number : [1202510046](#)

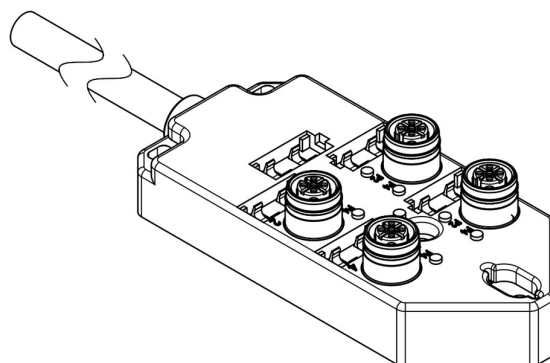
Product Description : MPIS Ultra-Lock (M12)
Passive Junction Box, Top-Mount, 4 Ports / 5
Poles, No LEDs, 5.0m Length, Dual IO Per Port

Series Number : 120119

Status : Active

Product Category : Passive Distribution Boxes

Engineering Number : BKB4050-FBW-05



Documents & Resources

Drawings

[1202510046_sd.pdf](#)

Product Environment Compliance

Compliance

| | |
|--------------------|--|
| GADSL/IMDS | Not Relevant |
| China RoHS | Not Relevant |
| EU ELV | Compliant with Exemption 3 per 2000/53/EC |
| Low-Halogen Status | Not Relevant |
| REACH SVHC | Contains Lead per D(2022)9120-DC (17 Jan 2023) |
| EU RoHS | Compliant with Exemption 6(c) per EU 2015/863 |

Multiple Part Product Compliance Statements

- Eu RoHS
- REACH SVHC
- Low-Halogen

Multiple Part Industry Compliance Documents

- IPC 1752A Class C
- IPC 1752A Class D
- Molex Product Compliance Declaration

- IEC-62474

- chemSHERPA (xml)

EU RoHS Certificate of Compliance

Part Details

General

| | |
|--------------|--|
| Status | Active |
| Category | Passive Distribution Boxes |
| Series | 120119 |
| Description | MPIS Ultra-Lock (M12) Passive Junction Box, Top-Mount, 4 Ports / 5 Poles, No LEDs, 5.0m Length, Dual IO Per Port |
| IP Rating | IP67 |
| Product Name | Ultra-Lock (M12) |
| UPC | 193264490011 |

Electrical

| | |
|-------------------------------|--------------------------------|
| Current - Maximum per Contact | 3.0A per port, 9.0A per module |
| Functional Wiring | Parallel |
| Voltage - Maximum | 10-30V DC |
| Wiring Configuration | Dual I/O per Port |

Physical

| | |
|-----------------------------|------------------|
| Bus I/O | Ultra-Lock (M12) |
| Cable Connector Orientation | Straight |
| Cable Length | 5.0m |
| Home Run Cable Length | 5.0m |
| Home Run Connector | N/A |
| Home Run Interface | Pigtail |
| Keyway | Single |
| LED Indicator | None |
| Material - Cable Jacket | TPU |
| Material - Housing | PBT |
| Material - Metal | Copper Alloy |
| Material - Plating Mating | Gold |

| | |
|-------------------------------|----------------|
| Net Weight | 545.000/g |
| Orientation | Top-Mount |
| Poles | 5 |
| Poles (wired) | 5 |
| Ports | 4 |
| Temperature Range - Operating | -25°C to +85°C |
| Wire/Cable Type | TPE |

This document was generated on Mar 27, 2025