



Part Number : [1202510079](#)

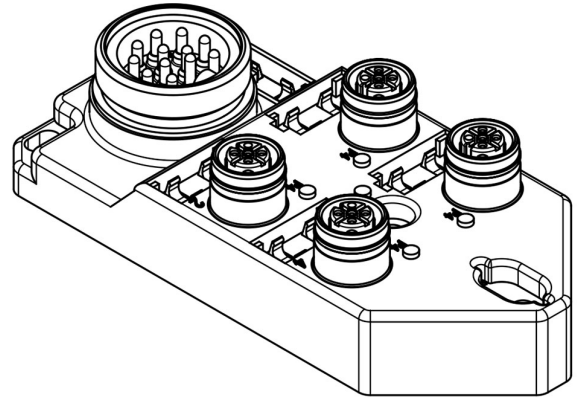
Product Description : MPIS Ultra-Lock (M12) Passive Junction Box, Top-Mount, 4 Ports / 4 Poles, No LEDs, with Integral Mini-Change (12-Pole) Home Run Connector, Single IO Per Port

Series Number : 120119

Status : Active

Product Category : Passive Distribution Boxes

Engineering Number : BKB4010-FBB



Documents & Resources

Drawings

[1202510079_sd.pdf](#)

Product Environment Compliance

Compliance

GADSL/IMDS	Not Relevant
China RoHS	Not Relevant
EU ELV	Not Reviewed per 2000/53/EC
Low-Halogen Status	Not Relevant
REACH SVHC	Contains Lead per D(2022)9120-DC (17 Jan 2023)
EU RoHS	Compliant with Exemption 6(c) per EU 2015/863

Multiple Part Product Compliance Statements

- Eu RoHS
- REACH SVHC
- Low-Halogen

Multiple Part Industry Compliance Documents

- IPC 1752A Class C
- IPC 1752A Class D
- Molex Product Compliance Declaration
- IEC-62474

Part Details

General

Status	Active
Category	Passive Distribution Boxes
Series	120119
Description	MPIS Ultra-Lock (M12) Passive Junction Box, Top-Mount, 4 Ports / 4 Poles, No LEDs, with Integral Mini-Change (12-Pole) Home Run Connector, Single IO Per Port
IP Rating	IP67
Product Name	Ultra-Lock (M12)
UPC	193264490165

Electrical

Current - Maximum per Contact	3.0A per port, 9.0A per module
Functional Wiring	Parallel
Voltage - Maximum	10-30V DC
Wiring Configuration	Single I/O per Port

Physical

Bus I/O	Ultra-Lock (M12)
Cable Connector Orientation	Straight
Cable Length	N/A
Home Run Cable Length	N/A
Home Run Connector	Mini-Change - 12 pole
Home Run Interface	Integrated Connector
Keyway	Single
LED Indicator	None
Material - Cable Jacket	N/A
Material - Housing	PBT
Material - Metal	Brass
Material - Plating Mating	Gold

Net Weight	254.000/g
Orientation	Top-Mount
Poles	4
Poles (wired)	4
Ports	4
Temperature Range - Operating	-25°C to +85°C
Wire/Cable Type	TPE

This document was generated on Mar 27, 2025