



**Part Number :** [1204040017](#)

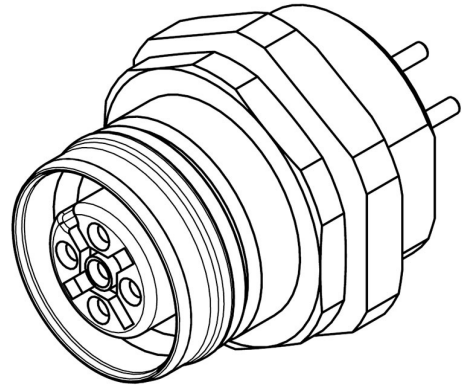
**Product Description :** Ultra-Lock 2.0 (M12) Receptacle, 5 Poles, Female (Straight), A-Coded, Front Panel Mount, PG9 Mounting Threads, PCB Pins

**Series Number :** 120404

**Status :** Active

**Product Category :** Circular Industrial Connectors

**Engineering Number :** YR5J20000



For illustration only. Pole size may deviate from image.

---

## Documents & Resources

### Drawings

[1204040017\\_sd.pdf](#)

### Specifications

[1204000001-P10.pdf](#)

---

## Product Environment Compliance

### Compliance

GADSL/IMDS	Not Relevant
China RoHS	Not Relevant
EU ELV	Compliant with Exemption 3 per 2000/53/EC
Low-Halogen Status	Not Relevant
REACH SVHC	Contains Lead per D(2023)3788-DC (14 Jun 2023)
EU RoHS	Compliant with Exemption 6(c) per EU 2015/863

### Multiple Part Product Compliance Statements

- Eu RoHS
- REACH SVHC
- Low-Halogen

### Multiple Part Industry Compliance Documents

- IPC 1752A Class C

- IPC 1752A Class D
- Molex Product Compliance Declaration
- IEC-62474
- chemSHERPA (xml)

EU RoHS Certificate of Compliance

---

## Part Details

### General

Status	Active
Category	Circular Industrial Connectors
Series	120404
Description	Ultra-Lock 2.0 (M12) Receptacle, 5 Poles, Female (Straight), A-Coded, Front Panel Mount, PG9 Mounting Threads, PCB Pins
IP Rating	IP67, IP69K
Product Name	Ultra-Lock 2.0 (M12)
Type	PCB Mount
UPC	195842255784

### Agency

CSA	LR6837
-----	--------

### Electrical

Current - Maximum per Contact	4.0A
Voltage - Maximum	60V

### Physical

Coupling Type	Internal Thread   Push to Lock
Gender	Female
Keyway	A-Coded
Length	N/A
Material - Component	Nickel-plated Brass
Mounting Thread Size	PG9
Net Weight	15.300/g
Orientation	Straight

Panel Mount	Front
Poles	5
Temperature Range - Operating	-40° to +85°C
Wire/Cable Type	UL 1569
Wire Size (AWG)	N/A

---

This document was generated on Mar 27, 2025