



Part Number : [1204040048](#)

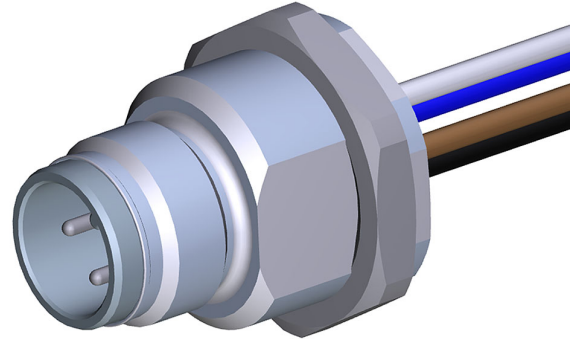
Product Description : Ultra-Lock 2.0 (M12) Receptacle, 8 Poles, Male (Straight) to Leads, A-Coded, Back Panel Mount, M16 Mounting Threads, 0.30m (11.81") Length

Series Number : 120404

Status : Active

Product Category : Circular Industrial Connectors

Engineering Number : YR8U46E02C300



Documents & Resources

Drawings

[1204040048_sd.pdf](#)

Specifications

[1204000001-P10.pdf](#)

Product Environment Compliance

Compliance

| | |
|--------------------|--|
| GADSL/IMDS | Not Relevant |
| China RoHS | Not Relevant |
| EU ELV | Compliant with Exemption 3 per 2000/53/EC |
| Low-Halogen Status | Not Relevant |
| REACH SVHC | Contains Lead per D(2023)3788-DC (14 Jun 2023) |
| EU RoHS | Compliant with Exemption 6(c) per EU 2015/863 |

Multiple Part Product Compliance Statements

- Eu RoHS
- REACH SVHC
- Low-Halogen

Multiple Part Industry Compliance Documents

- IPC 1752A Class C

- IPC 1752A Class D
- Molex Product Compliance Declaration
- IEC-62474
- chemSHERPA (xml)

EU RoHS Certificate of Compliance

Part Details

General

| | |
|--------------|--|
| Status | Active |
| Category | Circular Industrial Connectors |
| Series | 120404 |
| Description | Ultra-Lock 2.0 (M12) Receptacle, 8 Poles, Male (Straight) to Leads, A-Coded, Back Panel Mount, M16 Mounting Threads, 0.30m (11.81") Length |
| IP Rating | IP67, IP69K |
| Product Name | Ultra-Lock 2.0 (M12) |
| Type | Single Ended (pigtail) |
| UPC | 195842411548 |

Agency

| | |
|-----|--------|
| CSA | LR6837 |
|-----|--------|

Electrical

| | |
|-------------------------------|------|
| Current - Maximum per Contact | 2.0A |
| Voltage - Maximum | 30V |

Physical

| | |
|----------------------|--------------------------------|
| Coupling Type | External Thread Push to Lock |
| Gender | Male |
| Keyway | A-Coded |
| Length | 0.30m |
| Material - Component | Nickel-plated Brass |
| Mounting Thread Size | M16 |
| Net Weight | 30.838/g |
| Orientation | Straight |

| | |
|-------------------------------|----------------|
| Panel Mount | Back |
| Poles | 8 |
| Temperature Range - Operating | -40° to +90°C |
| Wire/Cable Type | Leads, UL 1569 |
| Wire Size (AWG) | 24 |

This document was generated on Mar 27, 2025