



Part Number : [1204040054](#)

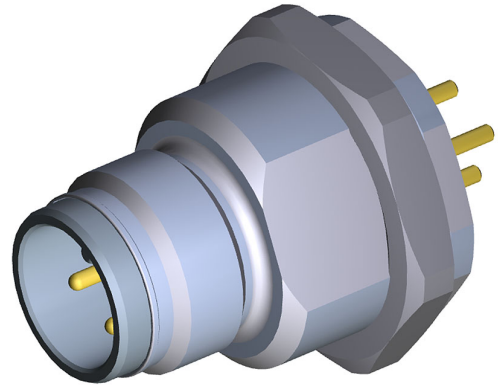
Product Description : Ultra-Lock 2.0 (M12) Receptacle, 4 Poles, Male (Straight), A-Coded, Back Panel Mount, M16 Mounting Threads, PCB Pins

Series Number : 120404

Status : Active

Product Category : Circular Industrial Connectors

Engineering Number : YR4U46000



Documents & Resources

Drawings

[1204040054_sd.pdf](#)

Specifications

[1204000001-P10.pdf](#)

Product Environment Compliance

Compliance

GADSL/IMDS	Not Relevant
China RoHS	Not Relevant
EU ELV	Compliant with Exemption 3 per 2000/53/EC
Low-Halogen Status	Not Relevant
REACH SVHC	Contains Lead per D(2023)3788-DC (14 Jun 2023)
EU RoHS	Compliant with Exemption 6(c) per EU 2015/863

[Multiple Part Product Compliance Statements](#)

- Eu RoHS
- REACH SVHC
- Low-Halogen

[Multiple Part Industry Compliance Documents](#)

- IPC 1752A Class C

- IPC 1752A Class D
- Molex Product Compliance Declaration
- IEC-62474
- chemSHERPA (xml)

EU RoHS Certificate of Compliance

Part Details

General

Status	Active
Category	Circular Industrial Connectors
Series	120404
Description	Ultra-Lock 2.0 (M12) Receptacle, 4 Poles, Male (Straight), A-Coded, Back Panel Mount, M16 Mounting Threads, PCB Pins
IP Rating	IP67, IP69K
Product Name	Ultra-Lock 2.0 (M12)
Type	PCB Mount
UPC	195842411920

Agency

CSA	LR6837
-----	--------

Electrical

Current - Maximum per Contact	4.0A
Voltage - Maximum	250V

Physical

Coupling Type	External Thread Push to Lock
Gender	Male
Keyway	A-Coded
Length	N/A
Material - Component	Nickel-plated Brass
Mounting Thread Size	M16
Net Weight	18.984/g
Orientation	Straight

Panel Mount	Back
Poles	4
Temperature Range - Operating	-40° to +90°C
Wire/Cable Type	UL 1569
Wire Size (AWG)	N/A

This document was generated on Mar 27, 2025