



Part Number : [1204062004](#)

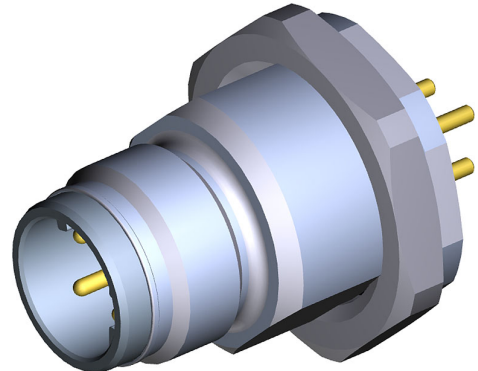
Product Description : Ultra-Lock 2.0 (M12) Receptacle, 4 Poles, Male (Straight), D-Coded, Back Panel Mount, M16 Mounting Threads, PCB Pins

Series Number : 120406

Status : Active

Product Category : Circular Industrial Connectors

Engineering Number : ERYD2U46000



---

## Documents & Resources

### Drawings

[1204062004\\_sd.pdf](#)

### Specifications

[1204000001-P10.pdf](#)

---

## Product Environment Compliance

### Compliance

GADSL/IMDS	Not Relevant
China RoHS	Not Relevant
EU ELV	Compliant with Exemption 3 per 2000/53/EC
Low-Halogen Status	Not Relevant
REACH SVHC	Contains Lead per D(2023)3788-DC (14 Jun 2023)
EU RoHS	Compliant with Exemption 6(c) per EU 2015/863

### Multiple Part Product Compliance Statements

- Eu RoHS
- REACH SVHC
- Low-Halogen

### Multiple Part Industry Compliance Documents

- IPC 1752A Class C

- IPC 1752A Class D
- Molex Product Compliance Declaration
- IEC-62474
- chemSHERPA (xml)

EU RoHS Certificate of Compliance

---

## Part Details

### General

Status	Active
Category	Circular Industrial Connectors
Series	120406
Description	Ultra-Lock 2.0 (M12) Receptacle, 4 Poles, Male (Straight), D-Coded, Back Panel Mount, M16 Mounting Threads, PCB Pins
IP Rating	IP67, IP69K
Product Name	Ultra-Lock 2.0 (M12)
Type	PCB Mount
UPC	195842411975

### Electrical

Current - Maximum per Contact	4.0A
Voltage - Maximum	250V

### Physical

Coupling Type	External Thread   Push to Lock
Gender	Male
Keyway	D-Coded
Length	N/A
Material - Component	Nickel-plated Brass
Mounting Thread Size	M16
Net Weight	19.006/g
Orientation	Straight
Panel Mount	Back
Poles	4
Temperature Range - Operating	-40° to +90°C

Wire/Cable Type	UL 1569
Wire Size (AWG)	N/A

---

This document was generated on Mar 27, 2025