



**Part Number :** [1204063008](#)

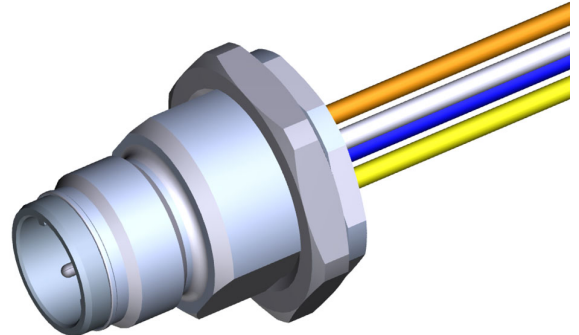
**Product Description :** Ultra-Lock 2.0 (M12) Receptacle, 4 Poles, Male (Straight) to Leads, D-Coded, Back Panel Mount, M16 Mounting Threads, 0.50m (1.64') Length

**Series Number :** 120406

**Status :** Active

**Product Category :** Circular Industrial Connectors

**Engineering Number :** ERYA2U46E03C500



---

## Documents & Resources

### Drawings

[1204063008\\_sd.pdf](#)

### Specifications

[1204000001-P10.pdf](#)

---

## Product Environment Compliance

### Compliance

GADSL/IMDS	Not Relevant
China RoHS	Not Relevant
EU ELV	Compliant with Exemption 3 per 2000/53/EC
Low-Halogen Status	Not Relevant
REACH SVHC	Contains Lead per D(2023)3788-DC (14 Jun 2023)
EU RoHS	Compliant with Exemption 6(c) per EU 2015/863

### Multiple Part Product Compliance Statements

- Eu RoHS
- REACH SVHC
- Low-Halogen

### Multiple Part Industry Compliance Documents

- IPC 1752A Class C

- IPC 1752A Class D
- Molex Product Compliance Declaration
- IEC-62474
- chemSHERPA (xml)

EU RoHS Certificate of Compliance

---

## Part Details

### General

Status	Active
Category	Circular Industrial Connectors
Series	120406
Description	Ultra-Lock 2.0 (M12) Receptacle, 4 Poles, Male (Straight) to Leads, D-Coded, Back Panel Mount, M16 Mounting Threads, 0.50m (1.64') Length
IP Rating	IP67, IP69K
Product Name	Ultra-Lock 2.0 (M12)
Type	Single Ended (pigtail)
UPC	195842411913

### Electrical

Current - Maximum per Contact	4.0A
Voltage - Maximum	250V

### Physical

Coupling Type	External Thread   Push to Lock
Gender	Male
Keyway	D-Coded
Length	0.50m
Material - Component	Nickel-plated Brass
Mounting Thread Size	M16
Net Weight	30.416/g
Orientation	Straight
Panel Mount	Back
Poles	4
Temperature Range - Operating	-40° to +90°C

Wire/Cable Type	Leads, UL 1569
Wire Size (AWG)	22

---

This document was generated on Mar 27, 2025