



**Part Number :** [1210120102](#)

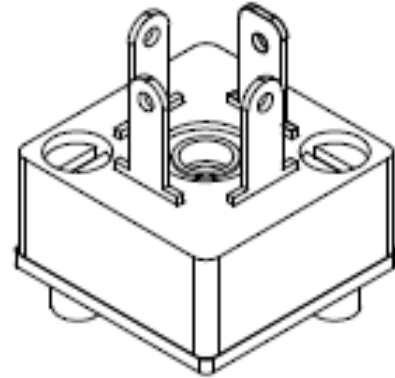
**Product Description :** mPm DIN Base, Form C-Micro 9.4mm, B29 Base, 2 Pole Plus Ground Terminal, 250V AC/300V DC, Black, Nitrile Gasket with Screws

**Series Number :** 121012

**Status :** Active

**Product Category :** Circular Industrial Connectors

**Engineering Number :** B292000N2



---

## Documents & Resources

### Drawings

[1210120102\\_sd.pdf](#)


### Specifications

[PK-121012-B29-001.pdf](#)

---

## Product Environment Compliance

### Compliance

GADSL/IMDS	Not Relevant
China RoHS	
EU ELV	Not Relevant
Low-Halogen Status	Low-Halogen per IEC 61249-2-21
REACH SVHC	Contains Lead per D(2024)7663-DC (21 Jan 2025)
EU RoHS	Compliant with Exemption 6(c) per EU 2015/863

### Multiple Part Product Compliance Statements

- Eu RoHS
- REACH SVHC
- Low-Halogen

### Multiple Part Industry Compliance Documents

- IPC 1752A Class C
- IPC 1752A Class D

- Molex Product Compliance Declaration
- IEC-62474
- chemSHERPA (xml)

EU RoHS Certificate of Compliance

---

## Part Details

### General

Status	Active
Category	Circular Industrial Connectors
Series	121012
Description	mPm DIN Base, Form C-Micro 9.4mm, B29 Base, 2 Pole Plus Ground Terminal, 250V AC/300V DC, Black, Nitrile Gasket with Screws
IP Rating	IP65, IP67
Product Name	mPm
Type	Field Attachable Connector
UPC	883906334642

### Electrical

Current - Maximum per Contact	10.0A
Voltage - Maximum	250V AC / 300V DC

### Physical

Cable Diameter	N/A
Coupling Type	N/A
Diagnostics / LEDs	No
Diagnostics Port	No
Form	C - Micro 9.4mm
Gender	N/A
Keyway	None
Material - Connector Body	Polypropylene
Material - Contact	Brass
Material - Coupling Nut	N/A
Material - Plating Mating	Tin

Net Weight	3.175/g
Orientation	Straight
Pitch - Mating Interface	9.40mm
Poles	2
Temperature Range - Operating	-40°C to +90°C
Wire Size (AWG)	N/A

---

This document was generated on Mar 27, 2025