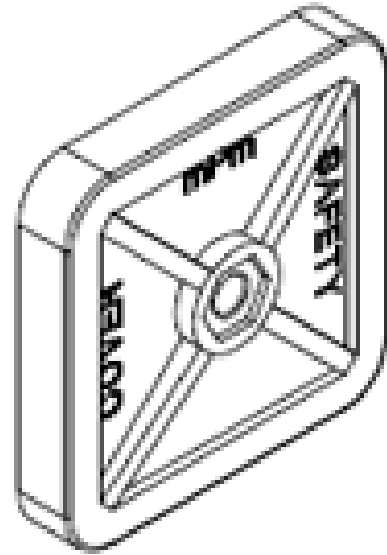




Part Number : [1210130006](#)
Product Description : mPm DIN Base
Series Number : 121013
Status : Active
Product Category : Circular Industrial Connectors
Engineering Number : B000107




Documents & Resources

Drawings

[1210130006_sd.pdf](#)

Product Environment Compliance

Compliance

GADSL/IMDS	Not Relevant
China RoHS	
EU ELV	Not Relevant
Low-Halogen Status	Low-Halogen per IEC 61249-2-21
REACH SVHC	Contains Lead per D(2024)4144-DC (27 June 2024)
EU RoHS	Compliant with Exemption 6(c) per EU 2015/863

Multiple Part Product Compliance Statements

- Eu RoHS
- REACH SVHC
- Low-Halogen

Multiple Part Industry Compliance Documents

- IPC 1752A Class C

- IPC 1752A Class D
- Molex Product Compliance Declaration
- IEC-62474
- chemSHERPA (xml)

EU RoHS Certificate of Compliance

Part Details

General

Status	Active
Category	Circular Industrial Connectors
Series	121013
Description	mPm DIN Base
IP Rating	IP65, IP67
Product Name	mPm
Type	Field Attachable Connector
UPC	883906695439

Electrical

Current - Maximum per Contact	N/A
Voltage - Maximum	N/A

Physical

Cable Diameter	N/A
Coupling Type	N/A
Diagnostics / LEDs	No
Diagnostics Port	No
Gender	N/A
Keyway	None
Material - Connector Body	Polypropylene
Material - Contact	Brass
Material - Coupling Nut	N/A
Material - Plating Mating	Silver
Net Weight	4.125/g
Orientation	N/A
Poles	N/A

Temperature Range - Operating	N/A
Wire Size (AWG)	N/A

This document was generated on Mar 27, 2025