



Part Number : [1210130199](#)

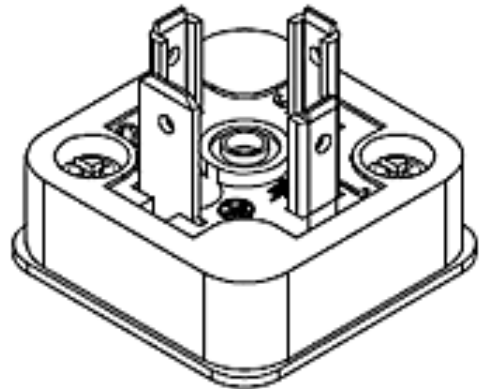
Product Description : mPm DIN Base, Form A-18mm, B28 Base, 2 Pole Plus Ground Terminal, 250V AC/300V DC, Black, Nitrile Gasket with Screw, UL94-V0 Rated

Series Number : 121013

Status : Active

Product Category : Circular Industrial Connectors

Engineering Number : B282000W2SA



Documents & Resources

Drawings

[1210130199_sd.pdf](#)


Specifications

[PK-121012-B28-001.pdf](#)

[STR-1467-001.pdf](#)

Product Environment Compliance

Compliance

GADSL/IMDS	Not Relevant
China RoHS	
EU ELV	Not Relevant
Low-Halogen Status	Low-Halogen per IEC 61249-2-21
REACH SVHC	Contains Lead per D(2024)7663-DC (21 Jan 2025)
EU RoHS	Compliant with Exemption 6(c) per EU 2015/863

Multiple Part Product Compliance Statements

- Eu RoHS
- REACH SVHC
- Low-Halogen

Multiple Part Industry Compliance Documents

- IPC 1752A Class C

- IPC 1752A Class D
- Molex Product Compliance Declaration
- IEC-62474
- chemSHERPA (xml)

EU RoHS Certificate of Compliance

Part Details

General

Status	Active
Category	Circular Industrial Connectors
Series	121013
Description	mPm DIN Base, Form A-18mm, B28 Base, 2 Pole Plus Ground Terminal, 250V AC/300V DC, Black, Nitrile Gasket with Screw, UL94-V0 Rated
IP Rating	IP65, IP67
Product Name	mPm
Type	Field Attachable Connector
UPC	78172503074

Electrical

Current - Maximum per Contact	16.0A
Voltage - Maximum	250V AC / 300V DC

Physical

Cable Diameter	N/A
Coupling Type	N/A
Diagnostics / LEDs	No
Diagnostics Port	No
Form	A - 18mm
Gender	N/A
Keyway	None
Material - Connector Body	Polypropylene
Material - Contact	Brass
Material - Coupling Nut	N/A
Material - Plating Mating	Silver

Net Weight	1.000/g
Orientation	Straight
Pitch - Mating Interface	18.00mm
Poles	2
Temperature Range - Operating	-40°C to +125°C
Wire Size (AWG)	N/A

This document was generated on Mar 27, 2025