



**Part Number :** [1210130233](#)

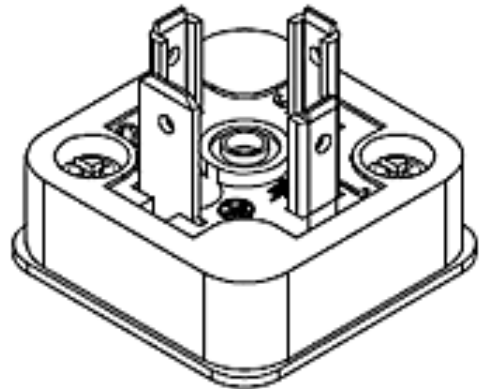
**Product Description :** mPm DIN Base, Form A-18mm, B28 Base, 3 Pole Plus Ground Terminal, 250V AC/300V DC, Black, Nitrile Gasket with Screw, UL94-V0 Rated

**Series Number :** 121013

**Status :** Active

**Product Category :** Circular Industrial Connectors

**Engineering Number :** B283000W2SA



---

## Documents & Resources

### Drawings

[1210130233\\_sd.pdf](#)

### Specifications

[PK-121012-B28-001.pdf](#)

[STR-1467-001.pdf](#)

---

## Product Environment Compliance

### Compliance

GADSL/IMDS	Not Relevant
China RoHS	Not Reviewed per SJ/T 11365-2006
EU ELV	Not Relevant
Low-Halogen Status	Not Reviewed per IEC 61249-2-21
REACH SVHC	Not Reviewed per D(2024)7663-DC (21 Jan 2025)
EU RoHS	Not Reviewed per EU 2015/863

### Multiple Part Product Compliance Statements

- Eu RoHS
- REACH SVHC
- Low-Halogen

### Multiple Part Industry Compliance Documents

- IPC 1752A Class C
- IPC 1752A Class D

- Molex Product Compliance Declaration
- IEC-62474
- chemSHERPA (xml)

EU RoHS Certificate of Compliance

---

## Part Details

### General

Status	Active
Category	Circular Industrial Connectors
Series	121013
Description	mPm DIN Base, Form A-18mm, B28 Base, 3 Pole Plus Ground Terminal, 250V AC/300V DC, Black, Nitrile Gasket with Screw, UL94-V0 Rated
IP Rating	IP65, IP67
Product Name	mPm
Type	Field Attachable Connector
UPC	884982414105

### Agency

UL	E218123
----	---------

### Electrical

Current - Maximum per Contact	16.0A
Voltage - Maximum	250V AC / 300V DC

### Physical

Cable Diameter	N/A
Coupling Type	N/A
Diagnostics / LEDs	No
Diagnostics Port	No
Form	A - 18mm
Gender	N/A
Keyway	None
Material - Connector Body	Polypropylene
Material - Contact	Brass

Material - Coupling Nut	N/A
Material - Plating Mating	Silver
Orientation	Straight
Pitch - Mating Interface	18.00mm
Poles	3
Temperature Range - Operating	-40°C to +125°C
Wire Size (AWG)	N/A

---

This document was generated on Mar 27, 2025