



**Part Number :** [1210230378](#)

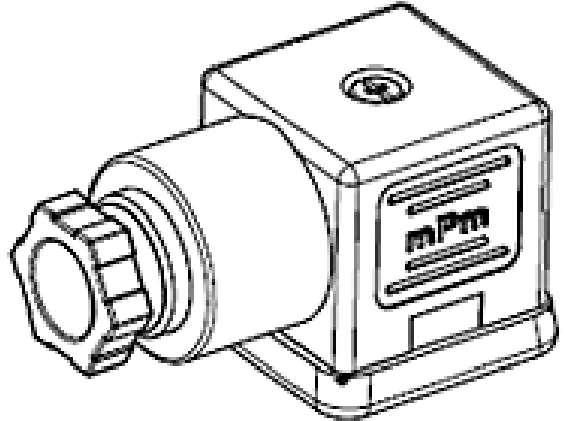
**Product Description :** mPm DIN Valve Connector, Form A-18mm, PG11 Internal Threads, 3 Pole, H12 Ground Position, Black, Nitrile Flat Gasket and Screw, Mounted, Bulk Packed

**Series Number :** 121023

**Status :** Active

**Product Category :** Circular Industrial Connectors

**Engineering Number :** C18311N22



---

## Documents & Resources


### Drawings

[1210230378\\_sd.pdf](#)

---

## Product Environment Compliance

### Compliance

GADSL/IMDS	Not Relevant
China RoHS	
EU ELV	Not Relevant
Low-Halogen Status	Low-Halogen per IEC 61249-2-21
REACH SVHC	Contains Lead per D(2024)6225-DC (07 Nov 2024)
EU RoHS	Compliant with Exemption 6(c) per EU 2015/863

### Multiple Part Product Compliance Statements

- Eu RoHS
- REACH SVHC
- Low-Halogen

### Multiple Part Industry Compliance Documents

- IPC 1752A Class C
- IPC 1752A Class D
- Molex Product Compliance Declaration
- IEC-62474

## Part Details

### General

Status	Active
Category	Circular Industrial Connectors
Series	121023
Description	mPm DIN Valve Connector, Form A-18mm, PG11 Internal Threads, 3 Pole, H12 Ground Position, Black, Nitrile Flat Gasket and Screw, Mounted, Bulk Packed
IP Rating	IP65
Product Name	mPm
Type	Field Attachable Connector
UPC	883906595319

### Electrical

Current - Maximum per Contact	16.0A
Voltage - Maximum	250V AC / 300V DC

### Physical

Cable Diameter	8.00-10.00mm (0.315-0.394")
Coupling Type	Internal Thread
Diagnostics / LEDs	No
Diagnostics Port	No
Form	A - 18mm
Gender	N/A
Keyway	None
Material - Connector Body	Polypropylene
Material - Contact	Brass
Material - Coupling Nut	N/A
Material - Plating Mating	Silver
Net Weight	24.861/g
Orientation	90° Angle

Pitch - Mating Interface	18.00mm
Poles	3
Temperature Range - Operating	-40°C to +90°C
Wire Size (AWG)	16

---

This document was generated on Mar 27, 2025