



**Part Number :** [1210230434](#)

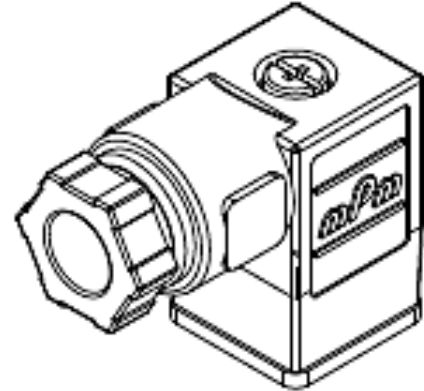
**Product Description :** mPm DIN Valve Connector, Form C-Micro-9.4mm, PG7 Internal Threads, 2 Pole, H12 Ground Position, Black, Nitrile Flat Gasket and Screw, Mounted, Bulk Pack

**Series Number :** 121023

**Status :** Active

**Product Category :** Circular Industrial Connectors

**Engineering Number :** C19207N22



---

## Documents & Resources

### Drawings

[1210230434\\_sd.pdf](#)


### Specifications

[PK-121023-C19-001.pdf](#)

---

## Product Environment Compliance

### Compliance

GADSL/IMDS	Not Relevant
China RoHS	
EU ELV	Not Relevant
Low-Halogen Status	Not Reviewed per IEC 61249-2-21
REACH SVHC	Contains Lead per D(2023)8585-DC (23 Jan 2024)
EU RoHS	Compliant with Exemption 6(c) per EU 2015/863

### Multiple Part Product Compliance Statements

- Eu RoHS
- REACH SVHC
- Low-Halogen

### Multiple Part Industry Compliance Documents

- IPC 1752A Class C
- IPC 1752A Class D

- Molex Product Compliance Declaration
- IEC-62474
- chemSHERPA (xml)

EU RoHS Certificate of Compliance

---

## Part Details

### General

Status	Active
Category	Circular Industrial Connectors
Series	121023
Description	mPm DIN Valve Connector, Form C-Micro-9.4mm, PG7 Internal Threads, 2 Pole, H12 Ground Position, Black, Nitrile Flat Gasket and Screw, Mounted, Bulk Pack
IP Rating	IP65
Product Name	mPm
Type	Field Attachable Connector
UPC	883906249045

### Agency

UL	E218123
----	---------

### Electrical

Current - Maximum per Contact	10.0A
Voltage - Maximum	250V AC / 300V DC

### Physical

Cable Diameter	4.00-6.00mm (.157-.236")
Coupling Type	Internal Thread
Diagnostics / LEDs	No
Diagnostics Port	No
Form	C - Micro 9.4mm
Gender	N/A
Keyway	None
Material - Connector Body	Polypropylene

Material - Contact	Brass
Material - Coupling Nut	N/A
Material - Plating Mating	Silver
Orientation	90° Angle
Pitch - Mating Interface	9.40mm
Poles	2
Temperature Range - Operating	-40°C to +90°C
Wire Size (AWG)	18

---

This document was generated on Mar 27, 2025