



Part Number : [1210370058](#)

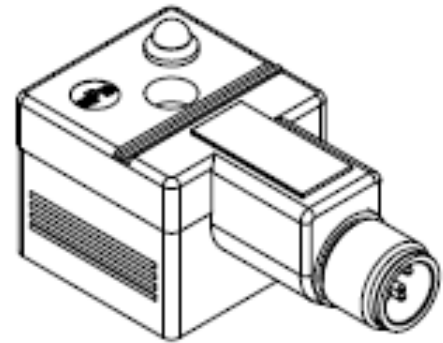
Product Description : mPm DIN Valve Connector, Form B-11mm, External Threads, 2 Poles Plus Ground with C4 Circuit, Yellow LED, Black, Nitrile Gasket

Series Number : 121037

Status : Active

Product Category : Circular Industrial Connectors

Engineering Number : F850B0




Documents & Resources

Drawings

[1210370058_sd.pdf](#)

Product Environment Compliance

Compliance

GADSL/IMDS	Not Relevant
China RoHS	
EU ELV	Not Relevant
Low-Halogen Status	Not Low-Halogen per IEC 61249-2-21
REACH SVHC	Not Contained per ED/01/2017 (12 January 2017)
EU RoHS	Compliant with Exemption 6(c) per EU 2015/863

Multiple Part Product Compliance Statements

- Eu RoHS
- REACH SVHC
- Low-Halogen

Multiple Part Industry Compliance Documents

- IPC 1752A Class C
- IPC 1752A Class D
- Molex Product Compliance Declaration
- IEC-62474

Part Details

General

Status	Active
Category	Circular Industrial Connectors
Series	121037
Description	mPm DIN Valve Connector, Form B-11mm, External Threads, 2 Poles Plus Ground with C4 Circuit, Yellow LED, Black, Nitrile Gasket
IP Rating	IP65, IP67
Product Name	mPm
Type	Field Attachable Connector
UPC	883906502089

Electrical

Current - Maximum per Contact	5.0A
Voltage - Maximum	24V

Physical

Cable Diameter	N/A
Coupling Type	External Thread
Diagnostics / LEDs	Yes
Diagnostics Port	No
Form	B - 11mm
Gender	N/A
Keyway	None
Material - Connector Body	Polypropylene
Material - Contact	Brass
Material - Coupling Nut	N/A
Material - Plating Mating	Silver
Net Weight	41.762/g
Orientation	90° Angle
Pitch - Mating Interface	11.00mm

Poles	2
Temperature Range - Operating	-40°C to +90°C
Wire Size (AWG)	N/A

This document was generated on Mar 27, 2025