



Part Number : [1210370075](#)

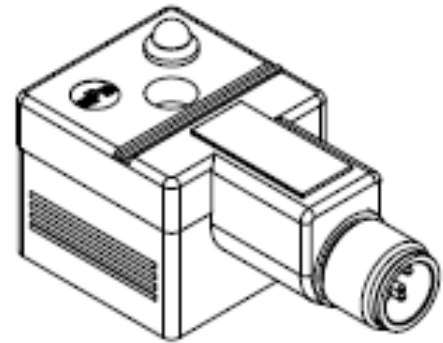
Product Description : mPm DIN Valve Connector, Form C-8mm, Internal External 2 Poles Plus Ground with C4 Circuit, Yellow LED, Black, Nitrile Gasket

Series Number : 121037

Status : Active

Product Category : Circular Industrial Connectors

Engineering Number : H850B0




Documents & Resources

Drawings

[1210370075_sd.pdf](#)

Product Environment Compliance

Compliance

GADSL/IMDS	Not Relevant
China RoHS	
EU ELV	Not Relevant
Low-Halogen Status	Not Low-Halogen per IEC 61249-2-21
REACH SVHC	Contains Lead; TBBA; Triphenyl-phosphate per D(2024)7663-DC (21 Jan 2025)
EU RoHS	Compliant with Exemption 6(c) per EU 2015/863

Multiple Part Product Compliance Statements

- Eu RoHS
- REACH SVHC
- Low-Halogen

Multiple Part Industry Compliance Documents

- IPC 1752A Class C
- IPC 1752A Class D
- Molex Product Compliance Declaration

- IEC-62474

- chemSHERPA (xml)

EU RoHS Certificate of Compliance

Part Details

General

Status	Active
Category	Circular Industrial Connectors
Series	121037
Description	mPm DIN Valve Connector, Form C-8mm, Internal External 2 Poles Plus Ground with C4 Circuit, Yellow LED, Black, Nitrile Gasket
IP Rating	IP65, IP67
Product Name	mPm
Type	Field Attachable Connector
UPC	883906876869

Electrical

Current - Maximum per Contact	5.0A
Voltage - Maximum	24V

Physical

Cable Diameter	N/A
Coupling Type	External Thread
Diagnostics / LEDs	Yes
Diagnostics Port	No
Form	C - 8mm
Gender	N/A
Keyway	None
Material - Connector Body	Polypropylene
Material - Contact	Brass
Material - Coupling Nut	N/A
Material - Plating Mating	Silver
Net Weight	25.888/g
Orientation	90° Angle

Pitch - Mating Interface	8.00mm
Poles	2
Temperature Range - Operating	-40°C to +90°C
Wire Size (AWG)	N/A

This document was generated on Mar 27, 2025