



Part Number : [1210640603](#)

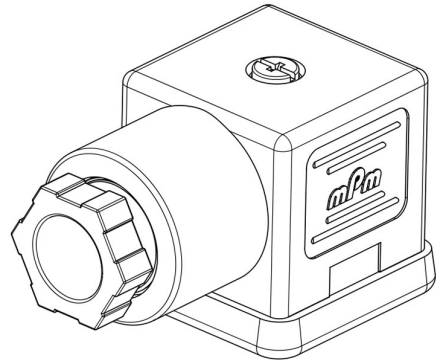
Product Description : mPm DIN Valve Connector, Form A-18mm, PG9 Internal Threads, 2 Pole Plus Ground with C4 Circuit, 230V, Yellow LED, Transparent, Nitrile Profile Gasket and Screw, Mounted, Bulk Pack

Series Number : 121064

Status : Active

Product Category : Circular Industrial Connectors

Engineering Number : S18209TC4M1




Documents & Resources

Drawings

[1210640603_sd.pdf](#)

Product Environment Compliance

Compliance

GADSL/IMDS	Not Relevant
China RoHS	
EU ELV	Not Relevant
Low-Halogen Status	Low-Halogen per IEC 61249-2-21
REACH SVHC	Not Contained per D(2022)9120-DC (17 Jan 2023)
EU RoHS	Compliant per EU 2015/863

Multiple Part Product Compliance Statements

- Eu RoHS
- REACH SVHC
- Low-Halogen

Multiple Part Industry Compliance Documents

- IPC 1752A Class C
- IPC 1752A Class D
- Molex Product Compliance Declaration
- IEC-62474

Part Details

General

Status	Active
Category	Circular Industrial Connectors
Series	121064
Description	mPm DIN Valve Connector, Form A-18mm, PG9 Internal Threads, 2 Pole Plus Ground with C4 Circuit, 230V, Yellow LED, Transparent, Nitrile Profile Gasket and Screw, Mounted, Bulk Pack
IP Rating	IP65
Product Name	mPm
Type	Field Attachable Connector
UPC	883906736552

Electrical

Current - Maximum per Contact	16.0A
Voltage - Maximum	230V

Physical

Cable Diameter	6.00-8.00mm (.236-.315")
Coupling Type	Internal Thread
Diagnostics / LEDs	Yes
Diagnostics Port	No
Form	A - 18mm
Gender	N/A
Keyway	None
Material - Connector Body	Polypropylene
Material - Contact	Brass
Material - Coupling Nut	N/A
Material - Plating Mating	Silver
Net Weight	22.175/g
Orientation	90° Angle

Pitch - Mating Interface	18.00mm
Poles	2
Temperature Range - Operating	-40°C to +90°C
Wire Size (AWG)	16

This document was generated on Mar 27, 2025