



**Part Number :** [1210640687](#)

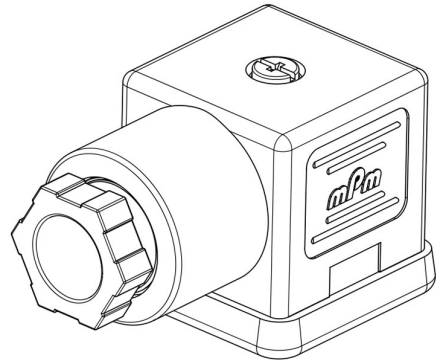
**Product Description :** mPm DIN Valve Connector, Form A-18mm, PG11 Internal Threads, 2 Pole Plus Ground with C4 Circuit, 230V, Yellow LED, Transparent, Nitrile Profile Gasket and Screw, Mounted, Bulk Pack

**Series Number :** 121064

**Status :** Active

**Product Category :** Circular Industrial Connectors

**Engineering Number :** S18211TC4M1



---

## Documents & Resources


### Drawings

[1210640687\\_sd.pdf](#)

---

## Product Environment Compliance

### Compliance

GADSL/IMDS	Not Relevant
China RoHS	
EU ELV	Not Relevant
Low-Halogen Status	Low-Halogen per IEC 61249-2-21
REACH SVHC	Not Contained per D(2022)9120-DC (17 Jan 2023)
EU RoHS	Compliant per EU 2015/863

### Multiple Part Product Compliance Statements

- Eu RoHS
- REACH SVHC
- Low-Halogen

### Multiple Part Industry Compliance Documents

- IPC 1752A Class C
- IPC 1752A Class D
- Molex Product Compliance Declaration
- IEC-62474

## Part Details

### General

Status	Active
Category	Circular Industrial Connectors
Series	121064
Description	mPm DIN Valve Connector, Form A-18mm, PG11 Internal Threads, 2 Pole Plus Ground with C4 Circuit, 230V, Yellow LED, Transparent, Nitrile Profile Gasket and Screw, Mounted, Bulk Pack
IP Rating	IP65
Product Name	mPm
Type	Field Attachable Connector
UPC	883906736705

### Agency

UL	E218123
----	---------

### Electrical

Current - Maximum per Contact	16.0A
Voltage - Maximum	230V

### Physical

Cable Diameter	8.00-10.00mm (0.315-0.394")
Coupling Type	Internal Thread
Diagnostics / LEDs	Yes
Diagnostics Port	No
Form	A - 18mm
Gender	N/A
Keyway	None
Material - Connector Body	Polypropylene
Material - Contact	Brass
Material - Coupling Nut	N/A

Material - Plating Mating	Silver
Net Weight	23.136/g
Orientation	90° Angle
Pitch - Mating Interface	18.00mm
Poles	2
Temperature Range - Operating	-40°C to +90°C
Wire Size (AWG)	16

---

This document was generated on Mar 27, 2025