



Part Number : [1210641253](#)

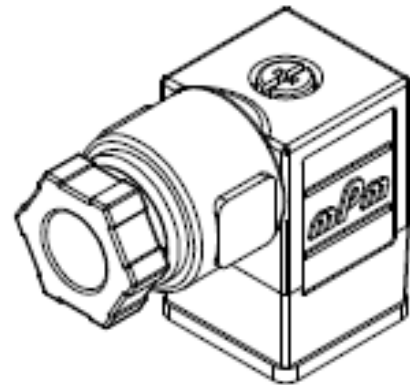
Product Description : mPm DIN Valve Connector, Form C-8mm, PG7 Internal Threads, 2 Pole Plus Ground with C4 Circuit, 24V, Yellow LED, Transparent, Nitrile Profile Gasket and Screw, Mounted, Bulk Pack

Series Number : 121064

Status : Active

Product Category : Circular Industrial Connectors

Engineering Number : S05207TC4H1



Documents & Resources

Drawings


[1210641253_sd.pdf](#)

Specifications

[PK-121065-S05-001.pdf](#)

Product Environment Compliance

Compliance

GADSL/IMDS	Not Relevant
China RoHS	
EU ELV	Not Relevant
Low-Halogen Status	Low-Halogen per IEC 61249-2-21
REACH SVHC	Not Contained per D(2022)9120-DC (17 Jan 2023)
EU RoHS	Compliant per EU 2015/863

[Multiple Part Product Compliance Statements](#)

- Eu RoHS
- REACH SVHC
- Low-Halogen

[Multiple Part Industry Compliance Documents](#)

- IPC 1752A Class C
- IPC 1752A Class D
- Molex Product Compliance Declaration

- IEC-62474

- chemSHERPA (xml)

EU RoHS Certificate of Compliance

Part Details

General

Status	Active
Category	Circular Industrial Connectors
Series	121064
Description	mPm DIN Valve Connector, Form C-8mm, PG7 Internal Threads, 2 Pole Plus Ground with C4 Circuit, 24V, Yellow LED, Transparent, Nitrile Profile Gasket and Screw, Mounted, Bulk Pack
IP Rating	IP65
Product Name	mPm
Type	Field Attachable Connector
UPC	883906737863

Electrical

Current - Maximum per Contact	10.0A
Voltage - Maximum	24V

Physical

Cable Diameter	4.00-6.00mm (.157-.236")
Coupling Type	Internal Thread
Diagnostics / LEDs	Yes
Diagnostics Port	No
Form	C - 8mm
Gender	N/A
Keyway	None
Material - Connector Body	Polypropylene
Material - Contact	Brass
Material - Coupling Nut	N/A
Material - Plating Mating	Silver
Net Weight	9.793/g

Orientation	90° Angle
Pitch - Mating Interface	8.00mm
Poles	2
Temperature Range - Operating	-40°C to +90°C
Wire Size (AWG)	18

This document was generated on Mar 27, 2025