



Part Number : [1300130193](#)

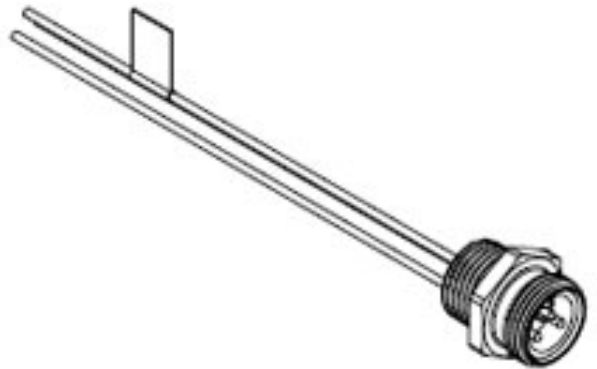
Product Description : Mini-Change A-Size Receptacle, 3 Poles, 1/2"- 14 NPT Threads, Male (Straight) to 18 AWG Leads, 0.305m (1.0') Length

Series Number : 130013

Status : Active

Product Category : Circular Industrial Connectors

Engineering Number : 1R3006A17A120




Documents & Resources

Drawings

[1300130193_sd.pdf](#)

Product Environment Compliance

Compliance

GADSL/IMDS	Not Relevant
China RoHS	
EU ELV	Not Relevant
Low-Halogen Status	Not Low-Halogen per IEC 61249-2-21
REACH SVHC	Contains Lead per D(2020)9139-DC (19 Jan 2021)
EU RoHS	Compliant with Exemption 6(c) per EU 2015/863

Multiple Part Product Compliance Statements

- Eu RoHS
- REACH SVHC
- Low-Halogen

Multiple Part Industry Compliance Documents

- IPC 1752A Class C
- IPC 1752A Class D
- Molex Product Compliance Declaration
- IEC-62474

Part Details

General

Status	Active
Category	Circular Industrial Connectors
Series	130013
Description	Mini-Change A-Size Receptacle, 3 Poles, 1/2"- 14 NPT Threads, Male (Straight) to 18 AWG Leads, 0.305m (1.0') Length
IP Rating	IP67
NEMA Rating	NEMA 6
Product Name	Mini-Change
Type	Single Ended (pigtail)
UPC	78678844925

Agency

CSA	LR6837
UL	E152210

Electrical

Current - Maximum per Contact	10.0A
Voltage - Maximum	300V AC/DC

Physical

Coupling Type	External Thread
Gender	Male
Keyway	Single
Length	0.305m
Material - Component	Zinc Die-Cast with Black Epoxy
Mounting Thread Size	1/2" - 14 NPT
Net Weight	38.680/g
Orientation	Straight
Panel Mount	Front

Poles	3
Temperature Range - Operating	-20° to +80°C
Wire/Cable Type	UL 1061
Wire Size (AWG)	18

This document was generated on Mar 27, 2025