



Part Number : [1300130238](#)

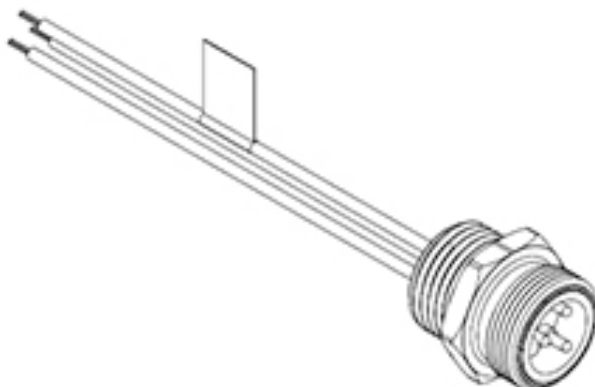
Product Description : Mini-Change A-Size Receptacle, 3 Poles, 1/2" - 14 NPT Threads, Male (Straight) to 16 AWG Leads, 0.305m (1.0') Length, IEC Code

Series Number : 130013

Status : Active

Product Category : Circular Industrial Connectors

Engineering Number : 1R3006A25A120



Documents & Resources

Drawings

[1300130238_sd.pdf](#)

Product Environment Compliance

Compliance

China RoHS	Not Reviewed
EU ELV	Not Reviewed
Low-Halogen Status	Not Reviewed
REACH SVHC	Not Reviewed
EU RoHS	Not Reviewed

Multiple Part Product Compliance Statements

- Eu RoHS
- REACH SVHC
- Low-Halogen

Multiple Part Industry Compliance Documents

- IPC 1752A Class C
- IPC 1752A Class D
- Molex Product Compliance Declaration
- IEC-62474
- chemSHERPA (xml)

EU RoHS Certificate of Compliance

Part Details

General

Status	Active
Category	Circular Industrial Connectors
Series	130013
Description	Mini-Change A-Size Receptacle, 3 Poles, 1/2" - 14 NPT Threads, Male (Straight) to 16 AWG Leads, 0.305m (1.0') Length, IEC Code
IP Rating	IP67
NEMA Rating	NEMA 6
Product Name	Mini-Change
Type	Single Ended (pigtail)
UPC	78678841800

Agency

CSA	LR6837
UL	E152210

Electrical

Current - Maximum per Contact	13.0A
Voltage - Maximum	600V AC/DC

Physical

Coupling Type	External Thread
Gender	Male
Keyway	Single
Length	0.305m
Material - Component	Zinc Die-Cast with Black Epoxy
Mounting Thread Size	1/2" - 14 NPT
Orientation	Straight
Panel Mount	Front
Poles	3
Temperature Range - Operating	-20° to +105°C
Wire/Cable Type	E152210

Wire Size (AWG)	16
-----------------	----

This document was generated on Mar 27, 2025