



**Part Number :** [1300130268](#)

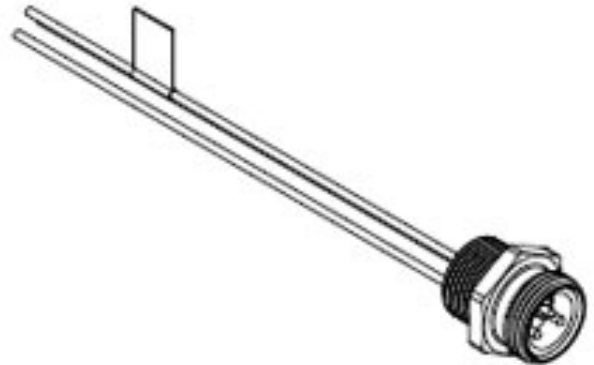
**Product Description :** Mini-Change A-Size Receptacle, 3 Poles, 7/8" - 16 NPT Threads, Male (Straight) to 18 AWG Leads, 0.305m (1.0') Length

**Series Number :** 130013

**Status :** Active

**Product Category :** Circular Industrial Connectors

**Engineering Number :** 1R3D06A25A120



---

## Documents & Resources

### Drawings

[1300130268\\_sd.pdf](#)

---

## Product Environment Compliance

### Compliance

China RoHS	Not Reviewed
EU ELV	Not Reviewed
Low-Halogen Status	Not Reviewed
REACH SVHC	Not Reviewed
EU RoHS	Not Reviewed

### Multiple Part Product Compliance Statements

- Eu RoHS
- REACH SVHC
- Low-Halogen

### Multiple Part Industry Compliance Documents

- IPC 1752A Class C
- IPC 1752A Class D
- Molex Product Compliance Declaration
- IEC-62474
- chemSHERPA (xml)

### EU RoHS Certificate of Compliance

---

## Part Details

### General

Status	Active
Category	Circular Industrial Connectors
Series	130013
Description	Mini-Change A-Size Receptacle, 3 Poles, 7/8" - 16 NPT Threads, Male (Straight) to 18 AWG Leads, 0.305m (1.0') Length
IP Rating	IP67
NEMA Rating	NEMA 6
Product Name	Mini-Change
Type	Single Ended (pigtail)
UPC	78678843897

### Agency

CSA	LR6837
-----	--------

### Electrical

Current - Maximum per Contact	10.0A
Voltage - Maximum	300V AC/DC

### Physical

Coupling Type	External Thread
Gender	Male
Keyway	Single
Length	0.305m
Material - Component	Gray Anodized Aluminum
Mounting Thread Size	PG13.5
Orientation	Straight
Panel Mount	N/A
Poles	3
Temperature Range - Operating	-20° to +80°C
Wire/Cable Type	UL 1061
Wire Size (AWG)	18

---

---

This document was generated on Mar 27, 2025