



Part Number : [1300130273](#)

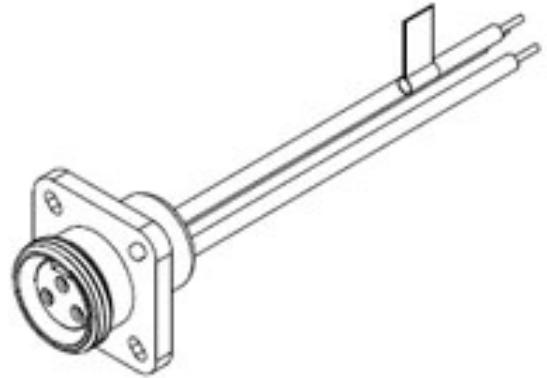
Product Description : Mini-Change A-Size Receptacle, 3 Poles, Female (Straight) to 16 AWG Leads, 0.305m (1.0') Length with Mounting Flange

Series Number : 130013

Status : Active

Product Category : Circular Industrial Connectors

Engineering Number : 1R3G04A20A120




Documents & Resources

Drawings

[1300130273_sd.pdf](#)

Product Environment Compliance

Compliance

GADSL/IMDS	Not Relevant
China RoHS	
EU ELV	Not Relevant
Low-Halogen Status	Not Low-Halogen per IEC 61249-2-21
REACH SVHC	Contains Lead per D(2023)3788-DC (14 Jun 2023)
EU RoHS	Compliant with Exemption 6(c) per EU 2015/863

Multiple Part Product Compliance Statements

- Eu RoHS
- REACH SVHC
- Low-Halogen

Multiple Part Industry Compliance Documents

- IPC 1752A Class C
- IPC 1752A Class D
- Molex Product Compliance Declaration
- IEC-62474

Part Details

General

Status	Active
Category	Circular Industrial Connectors
Series	130013
Description	Mini-Change A-Size Receptacle, 3 Poles, Female (Straight) to 16 AWG Leads, 0.305m (1.0') Length with Mounting Flange
IP Rating	IP67
NEMA Rating	NEMA 6
Product Name	Mini-Change
Type	Single Ended (pigtail)
UPC	78678843898

Agency

CSA	LR6837
UL	E152210

Electrical

Current - Maximum per Contact	13.0A
Voltage - Maximum	600V AC/DC

Physical

Coupling Type	External Thread
Gender	Female
Keyway	Single
Length	0.305m
Material - Component	Gray Anodized Aluminum
Mounting Thread Size	N/A
Net Weight	1.000/g
Orientation	Straight
Panel Mount	Front

Poles	3
Temperature Range - Operating	-20° to +105°C
Wire/Cable Type	E152210
Wire Size (AWG)	16

This document was generated on Mar 27, 2025