



**Part Number :** [1300130354](#)

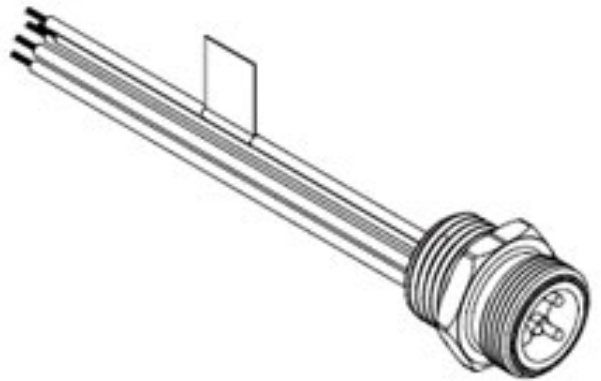
**Product Description :** Mini-Change A-Size Receptacle, 4 Poles, 1/2" - 14 NPT Threads, Male (Straight) to 16 AWG Leads, Stainless Steel, 0.3m (1.0') Length

**Series Number :** 130013

**Status :** Active

**Product Category :** Circular Industrial Connectors

**Engineering Number :** 1R4006A20A1201



---

## Documents & Resources


### Drawings

[1300130354\\_sd.pdf](#)

---

## Product Environment Compliance

### Compliance

|                    |   |
|--------------------|---|
| GADSL/IMDS         | Not Relevant  |
| China RoHS         |  |
| EU ELV             | Not Relevant  |
| Low-Halogen Status | Not Low-Halogen per IEC 61249-2-21  |
| REACH SVHC         | Contains Lead per D(2024)4144-DC (27 June 2024)                                       |
| EU RoHS            | Compliant with Exemption 6(c) per EU 2015/863   |

### Multiple Part Product Compliance Statements

- Eu RoHS
- REACH SVHC
- Low-Halogen

### Multiple Part Industry Compliance Documents

- IPC 1752A Class C
- IPC 1752A Class D
- Molex Product Compliance Declaration
- IEC-62474

## Part Details

### General

|              |   |
|--------------|---|
| Status       | Active  |
| Category     | Circular Industrial Connectors  |
| Series       | 130013  |
| Description  | Mini-Change A-Size Receptacle, 4 Poles, 1/2" - 14 NPT Threads, Male (Straight) to 16 AWG Leads, Stainless Steel, 0.3m (1.0') Length |
| IP Rating    | IP67  |
| NEMA Rating  | NEMA 6  |
| Product Name | Mini-Change   |
| Type         | Single Ended (pigtail)  |
| UPC          | 78678838620   |

### Agency

|     |         |
|-----|---------|
| CSA | LR6837  |
| UL  | E258922 |

### Electrical

|                               |       |
|-------------------------------|-------|
| Current - Maximum per Contact | 10.0A |
| Voltage - Maximum             | 600V  |

### Physical

|                      |                 |
|----------------------|-----------------|
| Coupling Type        | External Thread |
| Gender               | Male            |
| Keyway               | Single          |
| Length               | 0.305m          |
| Material - Component | Stainless Steel |
| Mounting Thread Size | 1/2" - 14 NPT   |
| Net Weight           | 57.606/g        |
| Orientation          | Straight        |
| Panel Mount          | Front           |

|                               |                |
|-------------------------------|----------------|
| Poles                         | 4              |
| Temperature Range - Operating | -20° to +105°C |
| Wire/Cable Type               | UL 1015        |
| Wire Size (AWG)               | 16             |

---

This document was generated on Mar 27, 2025