



**Part Number :** [1300130402](#)

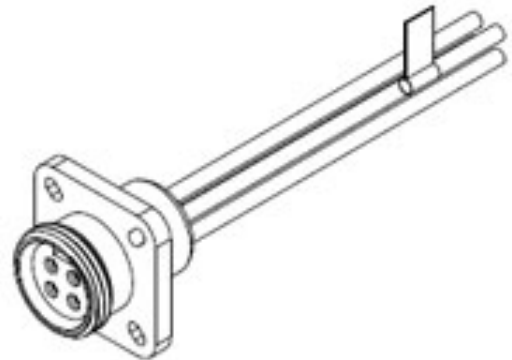
**Product Description :** Mini-Change Receptacle, 4 Poles, Flange Mount, Female (Straight) to 16 AWG Leads, 0.305m (1.0') Length

**Series Number :** 130013

**Status :** Active

**Product Category :** Circular Industrial Connectors

**Engineering Number :** 1R4G04A20A120



---

## Documents & Resources

### Drawings

[1300130402\\_sd.pdf](#)

---

## Product Environment Compliance

### Compliance

China RoHS	Not Reviewed
EU ELV	Not Reviewed
Low-Halogen Status	Not Reviewed
REACH SVHC	Not Reviewed
EU RoHS	Not Reviewed

### Multiple Part Product Compliance Statements

- Eu RoHS
- REACH SVHC
- Low-Halogen

### Multiple Part Industry Compliance Documents

- IPC 1752A Class C
- IPC 1752A Class D
- Molex Product Compliance Declaration
- IEC-62474
- chemSHERPA (xml)

### EU RoHS Certificate of Compliance

---

## Part Details

### General

Status	Active
Category	Circular Industrial Connectors
Series	130013
Description	Mini-Change Receptacle, 4 Poles, Flange Mount, Female (Straight) to 16 AWG Leads, 0.305m (1.0') Length
IP Rating	IP67
NEMA Rating	NEMA 6
Product Name	Mini-Change
Type	Single Ended (pigtail)
UPC	78678843915

### Agency

CSA	LR6837
UL	E152210

### Electrical

Current - Maximum per Contact	10.0A
Voltage - Maximum	600V

### Physical

Coupling Type	External Thread
Gender	Female
Keyway	Single
Length	0.30m
Material - Component	PVC
Mounting Thread Size	N/A
Orientation	Straight
Panel Mount	With Flange
Poles	4
Temperature Range - Operating	-20° to +105°C
Wire/Cable Type	UL 1015
Wire Size (AWG)	16

---

---

This document was generated on Mar 27, 2025