



Part Number : [1300130409](#)

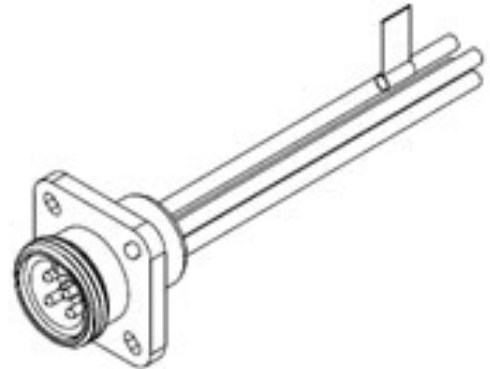
Product Description : Mini-Change Receptacle, 4 Poles, Flange Mount, Male (Straight) to 16 AWG Leads, 0.305m (1.0') Length

Series Number : 130013

Status : Active

Product Category : Circular Industrial Connectors

Engineering Number : 1R4G06A20A120



Documents & Resources

Drawings

[1300130409_sd.pdf](#)

Product Environment Compliance

Compliance

China RoHS	Not Reviewed
EU ELV	Not Reviewed
Low-Halogen Status	Not Reviewed
REACH SVHC	Not Reviewed
EU RoHS	Not Reviewed

Multiple Part Product Compliance Statements

- Eu RoHS
- REACH SVHC
- Low-Halogen

Multiple Part Industry Compliance Documents

- IPC 1752A Class C
- IPC 1752A Class D
- Molex Product Compliance Declaration
- IEC-62474
- chemSHERPA (xml)

EU RoHS Certificate of Compliance

Part Details

General

Status	Active
Category	Circular Industrial Connectors
Series	130013
Description	Mini-Change Receptacle, 4 Poles, Flange Mount, Male (Straight) to 16 AWG Leads, 0.305m (1.0') Length
IP Rating	IP67
NEMA Rating	NEMA 6
Product Name	Mini-Change
Type	Single Ended (pigtail)
UPC	78678843917

Agency

CSA	LR6837
UL	E152210

Electrical

Current - Maximum per Contact	10.0A
Voltage - Maximum	600V

Physical

Coupling Type	External Thread
Gender	Male
Keyway	Single
Length	0.305m
Material - Component	Clear Anodized Aluminum
Mounting Thread Size	N/A
Orientation	Straight
Panel Mount	With Flange
Poles	4
Temperature Range - Operating	-20° to +105°C
Wire/Cable Type	UL 1015
Wire Size (AWG)	16

This document was generated on Mar 27, 2025