



**Part Number :** [1300130442](#)

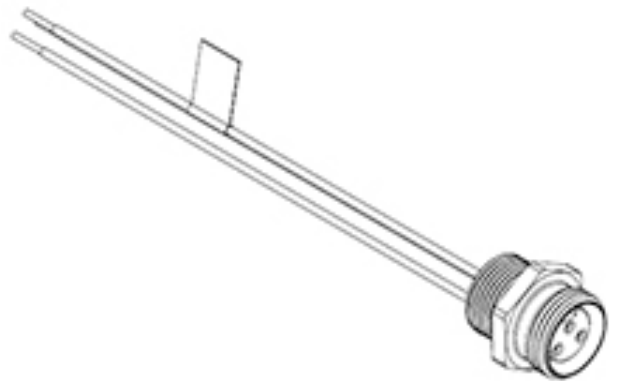
**Product Description :** Mini-Change A-Size Receptacle, 5 Poles, 1/2" - 14 NPT Threads, Female (Straight) to 16 AWG Leads, 0.305m (1.0') Length

**Series Number :** 130013

**Status :** Active

**Product Category :** Circular Industrial Connectors

**Engineering Number :** 1R5004A20A120



---

## Documents & Resources


### Drawings

[1300130442\\_sd.pdf](#)

---

## Product Environment Compliance

### Compliance

GADSL/IMDS	Not Relevant
China RoHS	
EU ELV	Not Relevant
Low-Halogen Status	Not Low-Halogen per IEC 61249-2-21
REACH SVHC	Contains Lead per D(2024)4144-DC (27 June 2024)
EU RoHS	Compliant with Exemption 6(c) per EU 2015/863

### Multiple Part Product Compliance Statements

- Eu RoHS
- REACH SVHC
- Low-Halogen

### Multiple Part Industry Compliance Documents

- IPC 1752A Class C
- IPC 1752A Class D
- Molex Product Compliance Declaration
- IEC-62474

## Part Details

### General

Status	Active
Category	Circular Industrial Connectors
Series	130013
Description	Mini-Change A-Size Receptacle, 5 Poles, 1/2" - 14 NPT Threads, Female (Straight) to 16 AWG Leads, 0.305m (1.0') Length
IP Rating	IP67
NEMA Rating	NEMA 6
Product Name	Mini-Change
Type	Single Ended (pigtail)
UPC	78172553055

### Agency

CSA	LR6837
UL	E152210

### Electrical

Current - Maximum per Contact	8.0A
Voltage - Maximum	600V AC/DC

### Physical

Coupling Type	External Thread
Gender	Female
Keyway	Single
Length	0.305m
Material - Component	Zinc Die-Cast with Black Epoxy
Mounting Thread Size	1/2" - 14 NPT
Net Weight	61.688/g
Orientation	Straight
Panel Mount	Front

Poles	5
Temperature Range - Operating	-20° to +105°C
Wire/Cable Type	UL 1015
Wire Size (AWG)	16

---

This document was generated on Mar 26, 2025