



**Part Number :** [1300130548](#)

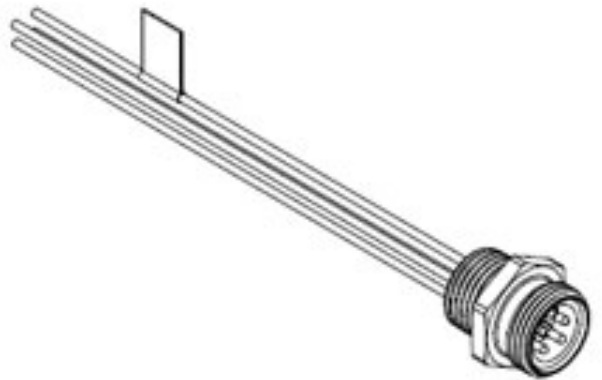
**Product Description :** Mini-Change A-Size Receptacle, 5 Poles, PG 13.5 Threads, Male (Straight) to 18 AWG Leads, 0.305m (1.0') Length

**Series Number :** 130013

**Status :** Active

**Product Category :** Circular Industrial Connectors

**Engineering Number :** 1R5D06A25A120



---

## Documents & Resources

### Drawings

[1300130548\\_sd.pdf](#)

---

## Product Environment Compliance

### Compliance

GADSL/IMDS	Not Relevant
China RoHS	Not Reviewed per SJ/T 11365-2006
EU ELV	Not Relevant
Low-Halogen Status	Not Reviewed per IEC 61249-2-21
REACH SVHC	Not Reviewed per D(2024)7663-DC (21 Jan 2025)
EU RoHS	Not Reviewed per EU 2015/863

### Multiple Part Product Compliance Statements

- Eu RoHS
- REACH SVHC
- Low-Halogen

### Multiple Part Industry Compliance Documents

- IPC 1752A Class C
- IPC 1752A Class D
- Molex Product Compliance Declaration
- IEC-62474
- chemSHERPA (xml)

## Part Details

### General

Status	Active
Category	Circular Industrial Connectors
Series	130013
Description	Mini-Change A-Size Receptacle, 5 Poles, PG 13.5 Threads, Male (Straight) to 18 AWG Leads, 0.305m (1.0') Length
IP Rating	IP67
NEMA Rating	NEMA 6
Product Name	Mini-Change
Type	Single Ended (pigtail)
UPC	78678843929

### Agency

CSA	LR6837
-----	--------

### Electrical

Current - Maximum per Contact	5.6A
Voltage - Maximum	300V AC/DC

### Physical

Coupling Type	External Thread
Gender	Male
Keyway	Single
Length	0.305m
Material - Component	Gray Anodized Aluminum
Mounting Thread Size	PG13.5
Orientation	Straight
Panel Mount	N/A
Poles	5
Temperature Range - Operating	-20° to +80°C
Wire/Cable Type	UL 1061

Wire Size (AWG)	18
-----------------	----

---

This document was generated on Mar 27, 2025