



Part Number : [1300140155](#)

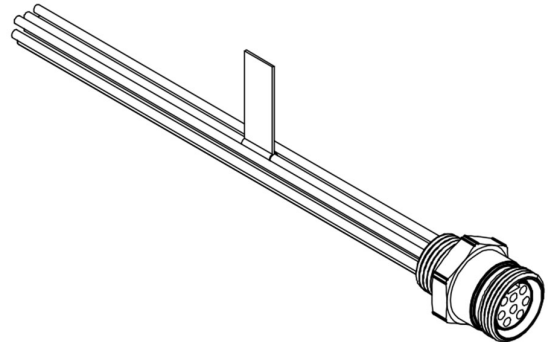
Product Description : Mini-Change B-Size Receptacle, 8 Poles, 1/2" - 14 NPT Threads, Female (Straight) to 16 AWG Leads, 1.0m (3.28') Length

Series Number : 130014

Status : Active

Product Category : Circular Industrial Connectors

Engineering Number : 2R8004A20M010



Documents & Resources

Drawings

[1300140155_sd.pdf](#)

Product Environment Compliance

Compliance

| | |
|--------------------|--|
| GADSL/IMDS | Not Relevant |
| China RoHS | |
| EU ELV | Not Relevant |
| Low-Halogen Status | Not Low-Halogen per IEC 61249-2-21 |
| REACH SVHC | Contains Lead per D(2023)8585-DC (23 Jan 2024) |
| EU RoHS | Compliant with Exemption 6(c) per EU 2015/863 |

Multiple Part Product Compliance Statements

- Eu RoHS
- REACH SVHC
- Low-Halogen

Multiple Part Industry Compliance Documents

- IPC 1752A Class C
- IPC 1752A Class D
- Molex Product Compliance Declaration

- IEC-62474

- chemSHERPA (xml)

EU RoHS Certificate of Compliance

Part Details

General

| | |
|--------------|---|
| Status | Active |
| Category | Circular Industrial Connectors |
| Series | 130014 |
| Description | Mini-Change B-Size Receptacle, 8 Poles, 1/2" - 14 NPT Threads, Female (Straight) to 16 AWG Leads, 1.0m (3.28') Length |
| Comments | B-Size (1" - 16 UN-2A) |
| IP Rating | IP67 |
| NEMA Rating | NEMA 6 |
| Product Name | Mini-Change |
| Type | Single Ended (pigtail) |
| UPC | 78172545181 |

Agency

| | |
|-----|---------|
| CSA | LR6837 |
| UL | E152210 |

Electrical

| | |
|-------------------------------|------------|
| Current - Maximum per Contact | 7.0A |
| Voltage - Maximum | 600V AC/DC |

Physical

| | |
|----------------------|--------------------------------|
| Coupling Type | External Thread |
| Gender | Female |
| Keyway | Single |
| Length | 1.0m |
| Material - Component | Zinc Die-Cast with Black Epoxy |
| Mounting Thread Size | 1/2" - 14 NPT |
| Net Weight | 65.230/g |

| | |
|-------------------------------|----------------|
| Orientation | Straight |
| Panel Mount | Front |
| Poles | 8 |
| Temperature Range - Operating | -20° to +105°C |
| Wire/Cable Type | UL 1015 |
| Wire Size (AWG) | 16 |

This document was generated on Mar 27, 2025