



**Part Number :** [1300150143](#)

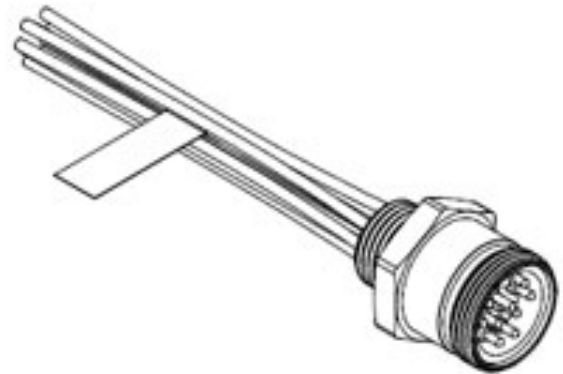
**Product Description :** Mini-Change C-Size Receptacle with Leads 1/2" - 14 NPT Threads, Male (Straight) 9 Poles, 1.83m (6.0') Length

**Series Number :** 130015

**Status :** Active

**Product Category :** Circular Industrial Connectors

**Engineering Number :** 3R9006A20F060



---

## Documents & Resources

### Drawings

[1300150143\\_sd.pdf](#)

---

## Product Environment Compliance

### Compliance

GADSL/IMDS	Not Relevant
China RoHS	Not Reviewed per SJ/T 11365-2006
EU ELV	Not Relevant
Low-Halogen Status	Not Reviewed per IEC 61249-2-21
REACH SVHC	Not Reviewed per D(2024)7663-DC (21 Jan 2025)
EU RoHS	Not Reviewed per EU 2015/863

### Multiple Part Product Compliance Statements

- Eu RoHS
- REACH SVHC
- Low-Halogen

### Multiple Part Industry Compliance Documents

- IPC 1752A Class C
- IPC 1752A Class D
- Molex Product Compliance Declaration
- IEC-62474
- chemSHERPA (xml)

## Part Details

### General

Status	Active
Category	Circular Industrial Connectors
Series	130015
Description	Mini-Change C-Size Receptacle with Leads 1/2" - 14 NPT Threads, Male (Straight) 9 Poles, 1.83m (6.0') Length
Comments	C-Size (1-1/8" - 16 UN-2A)
IP Rating	IP67
Product Name	Mini-Change
Type	Single Ended (pigtail)
UPC	78678844212

### Agency

CSA	LR6837
UL	E152210

### Electrical

Current - Maximum per Contact	7.0A
Voltage - Maximum	600V AC/DC

### Physical

Coupling Type	External Thread
Gender	Male
Keyway	Single
Length	1.83m
Material - Component	Zinc Die-Cast with Black Epoxy
Mounting Thread Size	1/2" - 14 NPT
Net Weight	1.000/g
Orientation	Straight
Panel Mount	N/A
Poles	9

Temperature Range - Operating	-20° to +105°C
Wire/Cable Type	UL 1015
Wire Size (AWG)	16

---

This document was generated on Mar 27, 2025