



Part Number : [1300250079](#)

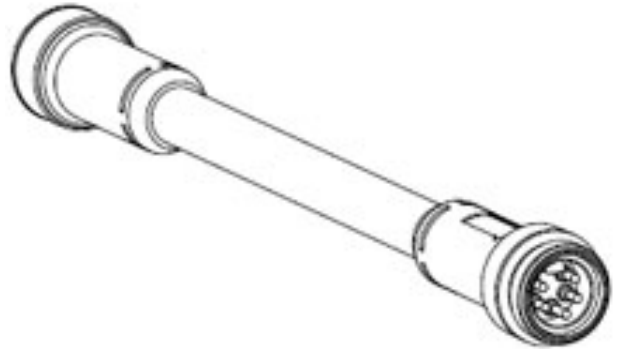
Product Description : Mini-Change Double-Ended Cordset, 5 Poles, Male (Straight) to Female (Straight), 18/15 AWG, DeviceNet Thick (Trunk) Cable, 7.0m (22.97') Length

Series Number : 130025

Status : Active

Product Category : Circular Industrial Cordsets

Engineering Number : DN11A-M070




Documents & Resources

Drawings

[1300250079_sd.pdf](#)

Product Environment Compliance

Compliance

GADSL/IMDS	Not Relevant
China RoHS	
EU ELV	Not Relevant
Low-Halogen Status	Not Low-Halogen per IEC 61249-2-21
REACH SVHC	Contains Lead... per D(2024)4144-DC (27 June 2024)
EU RoHS	Compliant with Exemption 6(c) per EU 2015/863

Multiple Part Product Compliance Statements

- Eu RoHS
- REACH SVHC
- Low-Halogen

Multiple Part Industry Compliance Documents

- IPC 1752A Class C
- IPC 1752A Class D
- Molex Product Compliance Declaration
- IEC-62474

Part Details

General

Status	Active
Category	Circular Industrial Cordsets
Series	130025
Description	Mini-Change Double-Ended Cordset, 5 Poles, Male (Straight) to Female (Straight), 18/15 AWG, DeviceNet Thick (Trunk) Cable, 7.0m (22.97') Length
IP Rating	IP67
Product Name	DeviceNet Trunk,Mini-Change
Type	Double Ended
UPC	78678830983

Agency

CSA	LR6837
UL	E152210

Electrical

Current - Maximum per Contact	4.0A
Voltage - Maximum	300V AC/DC

Physical

Cable Diameter	12.10mm (.480")
Cable Length	7.0m (22.97')
Color - Cable Jacket	Gray
Connector End A	Mini-Change
Connector End B	Mini-Change
Coupling Style	Threaded
Gender	Female-Male
Keyway	Single
LED Indicator	None

Material - Cable Jacket	PVC
Material - Connector Body	PVC
Material - Contact	Copper Alloy
Material - Coupling Nut	Zinc Die-Cast
Material - Plating Mating	Gold
Net Weight	450.120/g
Orientation	Straight to Straight
Poles	5
Temperature Range - Operating	-20° to +80°C
Wire/Cable Type	N/A
Wire Size (AWG)	15, 18

This document was generated on Mar 27, 2025